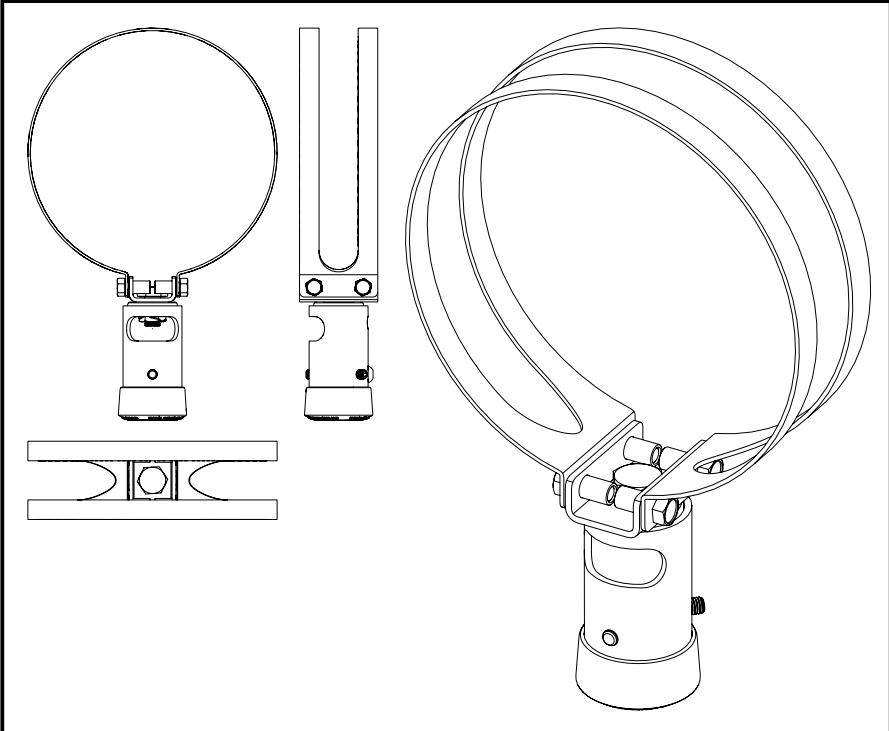




TM530



Screen Size: n/a | **Guide Max. Weight:** 120kg

Please check model specific details before installing

Revised 18/07/24

WARNING

Please carefully inspect the product before assembling. If you notice any apparent damage, call your carrier claims agent and do not continue the installation until it has been reviewed. Please watch for pinch points. Do not put your fingers between moveable parts. Do not tamper with or disassemble any spring loaded parts. Before installing, make sure that the supporting surface will support five times the combined load of the solution and the hardware. Never exceed the maximum load capacity. Please also layout all components to ensure that you have all of the required parts before proceeding (see BOM list on following page). Use of this product for anything other than its specified use may result in failure or personal injury. This product is intended for indoor use only. We recommend using a qualified trades person for installation. Use an assistant or lifting equipment to lift and position products.

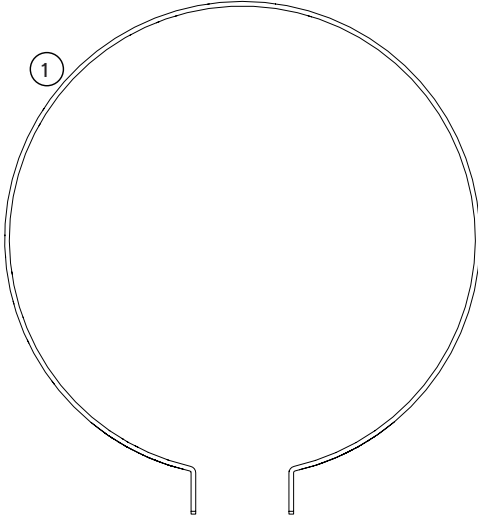
For support, please call: +44 (0)1865 767676 or email: sales@unicol.com



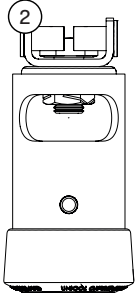
#	TOOLS REQUIRED
1	4mm & 5mm Allen Keys
4	17mm Spanner

INSTALLERS REQUIRED
1


COMPONENTS



1

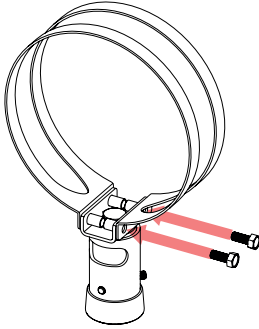


2



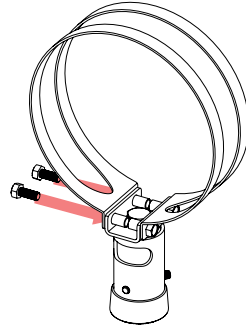
3

#	DESCRIPTION	QTY
1	Pipe Strap	1
2	Socket	1
3	Optional: Ceiling Suspension Column	-



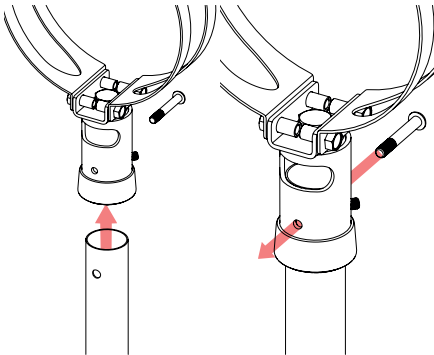
STEP 1

Line one side of the strap up with the slots within the socket and secure into position.



STEP 2

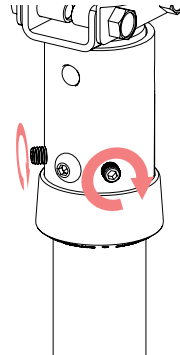
Place the strap around the pipe and position. Once happy with positioning, line the strap up with the slots on the other side of the socket and secure.



STEP 3

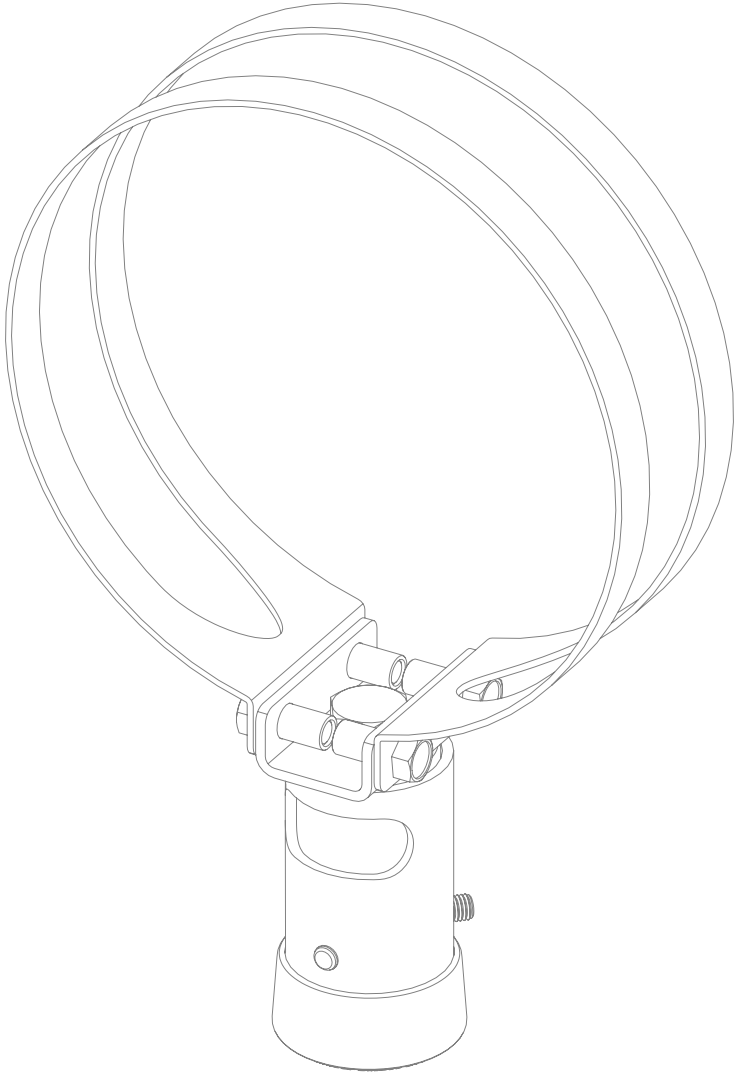
Take your column length, or direct fixing product, and place it into the now secured socket. Slide all cabling through the column and through the gap in the ceiling plate socket.

Align the suspension hole within the column up with the allocated hole in the socket and thread the throughbolt all the way through.



STEP 4

Tighten the grub screws on either side of the socket to further secure the column length,



Any Questions?