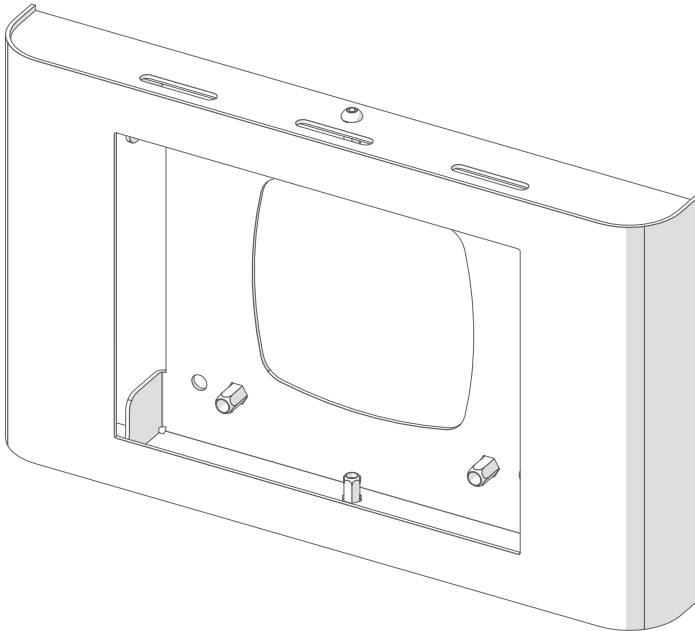




TBM1 / TBM2



Screen Size: 7 - 15" | **Guide Max. Weight:** 10kg

Please check model specific details before installing

Revised 15/12/23

WARNING

Please carefully inspect the product before assembling. If you notice any apparent damage, call your carrier claims agent and do not continue the installation until it has been reviewed. Please watch for pinch points. Do not put your fingers between moveable parts. Do not tamper with or disassemble any spring loaded parts. Before installing, make sure that the supporting surface will support five times the combined load of the solution and the hardware. Never exceed the maximum load capacity. Please also layout all components to ensure that you have all of the required parts before proceeding (see BOM list on following page). Use of this product for anything other than its specified use may result in failure or personal injury. This product is intended for indoor use only. We recommend using a qualified trades person for installation. Use an assistant or lifting equipment to lift and position products.

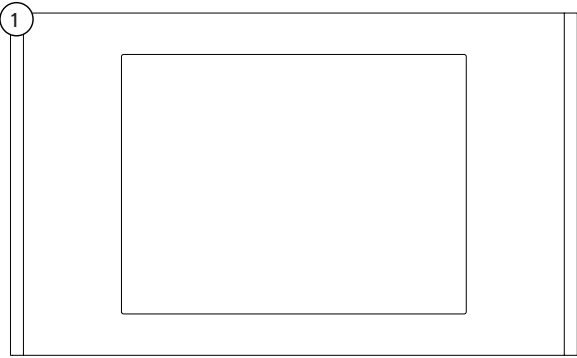
For support, please call: +44 (0)1865 767676 or email: sales@unicol.com



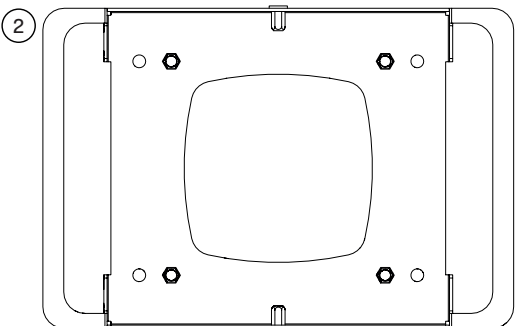
#	TOOLS REQUIRED
1	4mm Allen Keys
2	Pozi Head Screwdriver

INSTALLERS REQUIRED
1

COMPONENTS

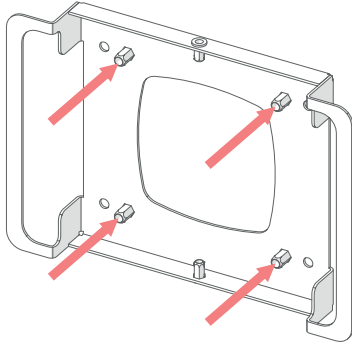


1



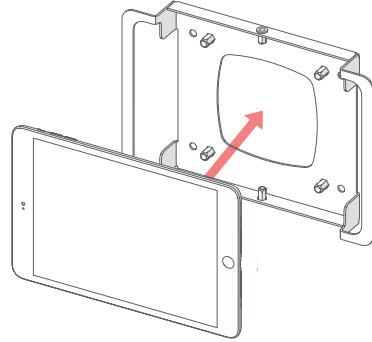
2

#	DESCRIPTION	QTY
1	Backing Plate	1
2	Front Cover	1
3	M4 x 12mm Button Head Screws	2



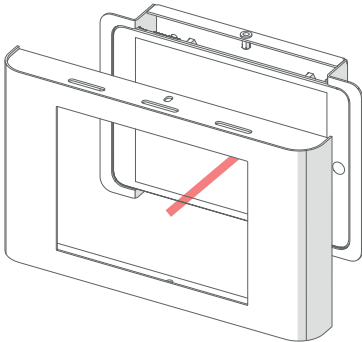
STEP 1

Fix backing plate onto wall by bolting through the 4 central fixings highlighted above. Once fitted, please fit any cabling, power, PoE or any other small devices.



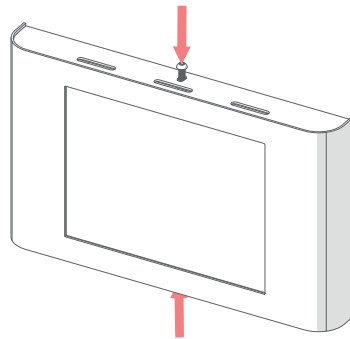
STEP 2

Place the tablet into the backing plate and cable up as required.



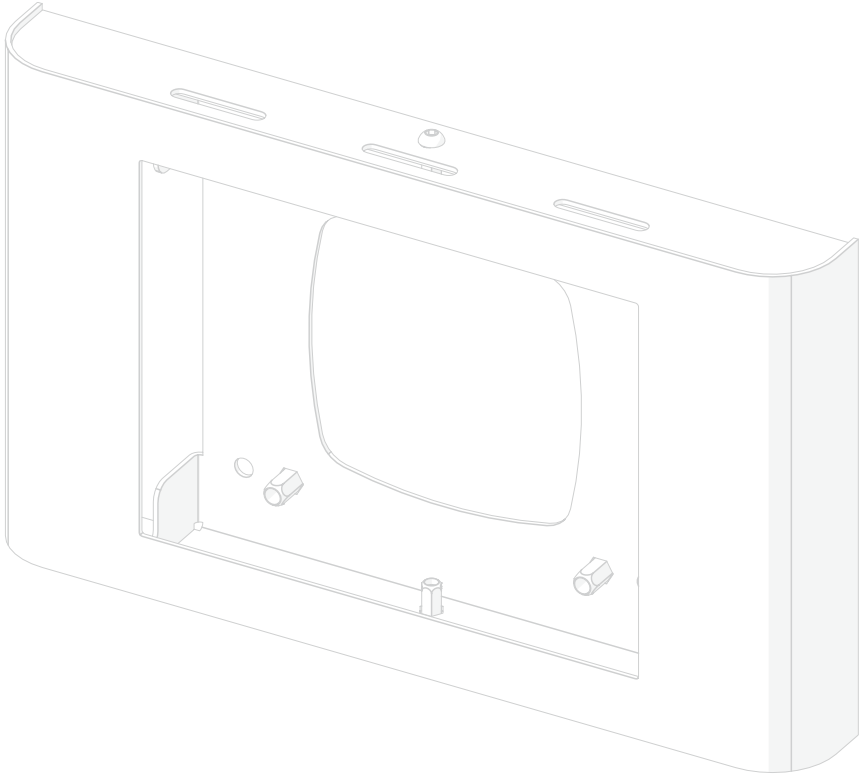
STEP 3

Once cabled up and resting in place, fit the front cover over the tablet and backing plate, lining up the fixing holes with the holes at the top and bottom of the backing plate.



STEP 4

Secure the front cover by tightening the top and bottom screws using an allen key.



Any Questions?

+44 (0)1865 767676

sales@unicol.com

unicol.com/instructions