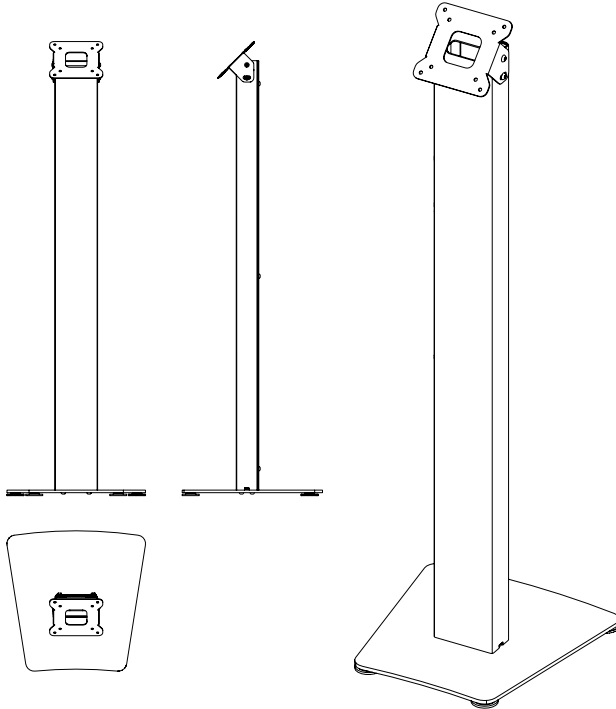




## TBP1 / TBBD1



**Screen Size:** 7 - 15" | **Guide Max. Weight:** 5kg

\*Please check model specific details before installing\*

Revised 18/07/24

### WARNING

Please carefully inspect the product before assembling. If you notice any apparent damage, call your carrier claims agent and do not continue the installation until it has been reviewed. Please watch for pinch points. Do not put your fingers between moveable parts. Do not tamper with or disassemble any spring loaded parts. Before installing, make sure that the supporting surface will support five times the combined load of the solution and the hardware. Never exceed the maximum load capacity. Please also layout all components to ensure that you have all of the required parts before proceeding (see BOM list on following page). Use of this product for anything other than its specified use may result in failure or personal injury. This product is intended for indoor use only. We recommend using a qualified trades person for installation. Use an assistant or lifting equipment to lift and position products.

For support, please call: +44 (0)1865 767676 or email: sales@unicol.com

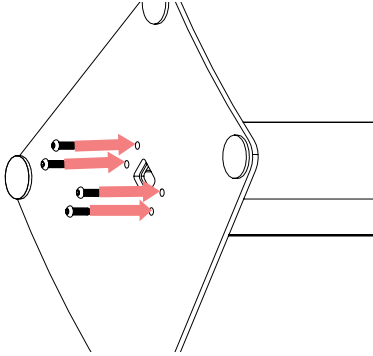


#	TOOLS REQUIRED
1	5mm & 6mm Allen Keys
2	Pozi Head Screwdriver

INSTALLERS REQUIRED
1

**COMPONENTS**

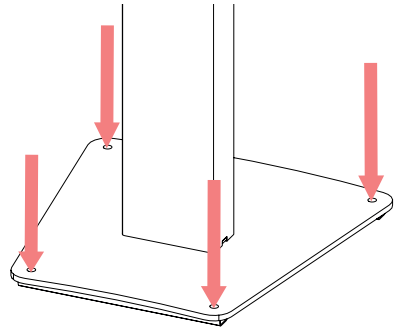
#	DESCRIPTION	QTY
1	Tablet Stand Mast	1
2	Tablet Stand Plinth Base	1
3	Tilting Mount Bracket	1
4	Optional: TBM Tablet Mount Case	-
5	Optional: TBM Tablet Back Plate	-
6	Alternative: Bolt Down Base	-



### STEP 1

Lay the mast down on a flat surface, preferably onto a sturdy table to make fixing the base easier.

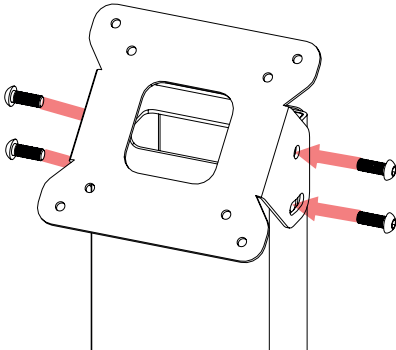
Offer the base up to the mast with the narrow part of the base and the flush side of the mast face the front. Fix into position via the four allocated screw slots. Lower stand onto the floor.



### STEP 2

For bolt down base, position floor plate and mark through the screw holes (arrows above) where it will be positioned.

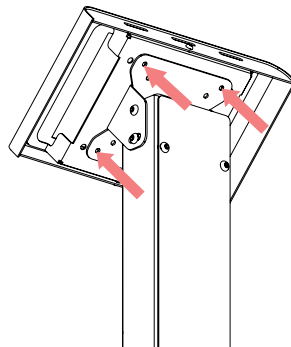
Before you screw through, ensure any cables that are threaded down through the mast and out underneath the base.



### STEP 3

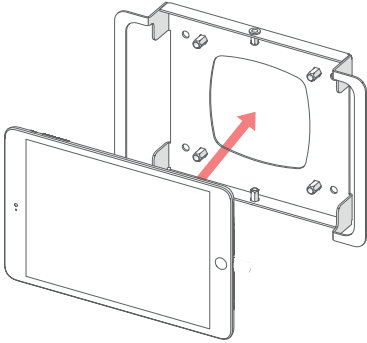
Line the tilting mount bracket up with the holes at the top of the mast and secure into place. Please ensure that the wider hole in the bracket is located at the bottom as this will be your tilt adjustment.

Thread cabling down the mast and out underneath the base. If you need to access cables or store any small devices, simply unscrew the mast back panel.



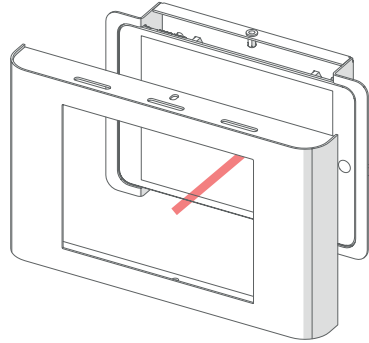
### STEP 4

Take your tablet mount and line the tablet back plate up with the tilting mount bracket and secure into position as shown above.



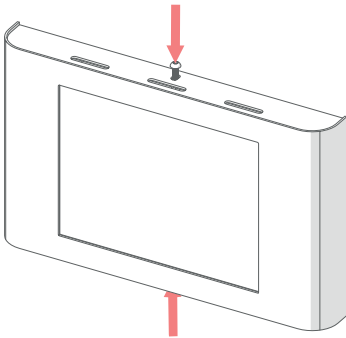
### STEP 5

Place the tablet into the backing plate and cable up as required.



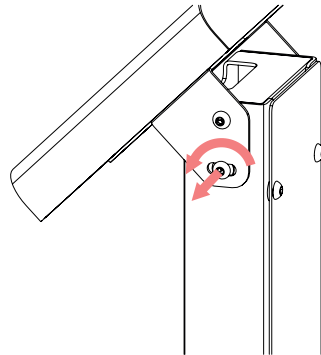
### STEP 6

Once cabled up and resting in place, fit the front cover over the tablet and backing plate, lining up the fixing holes with the holes at the top and bottom of the backing plate.



### STEP 7

Secure the front cover by tightening the top and bottom screws.



### STEP 8

To adjust the angle of the tablet, simply loosen the bottom screw on each side of the tilting mount bracket, adjust the angle and then tighten again.