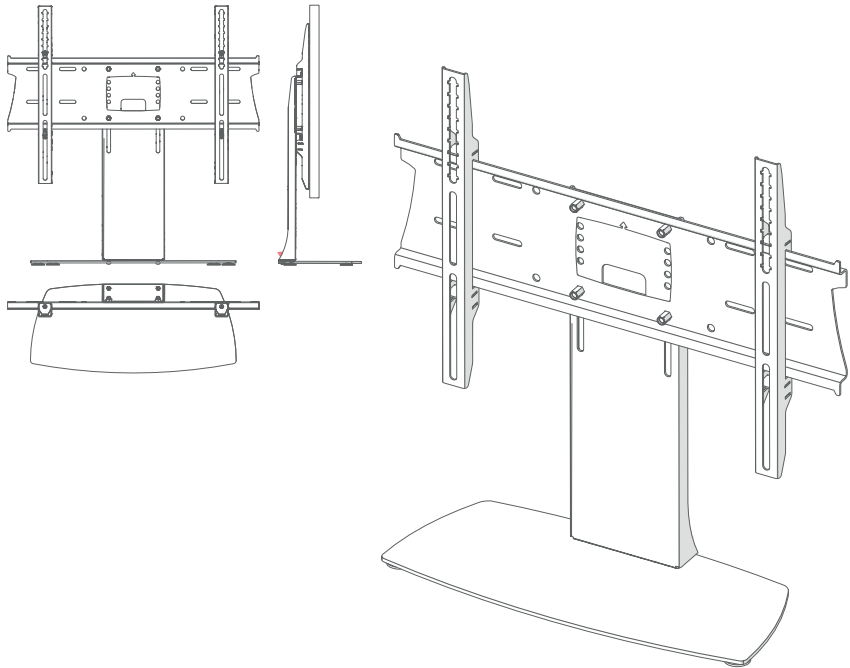


## PFT1 / PFT3 / PFT4 / PFT21



**Screen Size: 40-100" | Guide Max. Weight: 60kg**

*\*Please check model specific details before installing\**

**Revised 08/07/21**

### WARNING

Please carefully inspect the product before assembling. If you notice any apparent damage, call your carrier claims agent and do not continue the installation until it has been reviewed. Please watch for pinch points. Do not put your fingers between moveable parts. Do not tamper with or disassemble any spring loaded parts. Before installing, make sure that the supporting surface will support five times the combined load of the solution and the hardware. Never exceed the maximum load capacity. Please also layout all components to ensure that you have all of the required parts before proceeding (see BOM list on following page). Use of this product for anything other than its specified use may result in failure or personal injury. This product is intended for indoor use only. We recommend using a qualified trades person for installation. Use an assistant or lifting equipment to lift and position products.

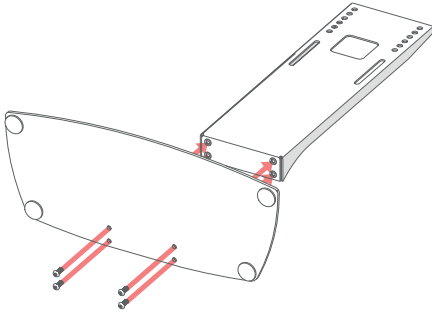
*For support, please call: +44 (0)1865 767676 or email: sales@unicol.com*

#	TOOLS REQUIRED
1	17mm Spanner
2	5mm Allen Key
3	Pozidrive Screwdriver

INSTALLERS REQUIRED
<b>1-2</b>

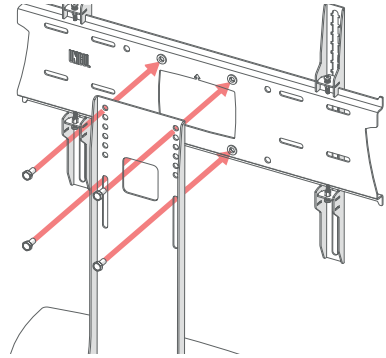
**COMPONENTS**

#	DESCRIPTION	QTY
1	Mast	1
2	Screen Mount Back Plate	1
3	Screen Mount Arms	2
4	Base	1
5	Alternative Mount Back Plate & Arms	-
6	Alternative Mast Example	-



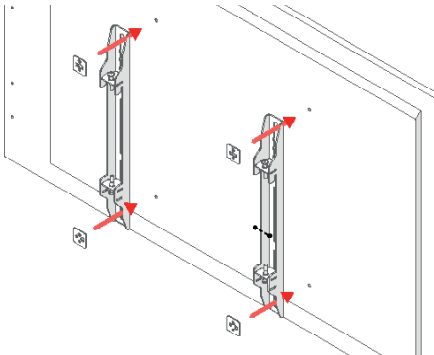
### STEP 1

With the mast laying flat on a table (as shown above) pick up the base (with the help of another person if necessary) and offer the base to the mast. Ensure fixing holes are aligned and then secure with the 4 dome head allen screws provided.



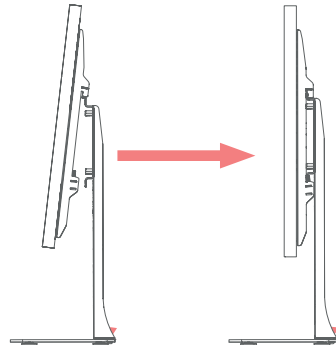
### STEP 2

Line the back plate up with the mast, choosing the best slots for height positioning. Fix 4 hex head screws from behind the mount adapter and into the 4 rivet nuts located on the back plate. Ensure back plate is secure and screws are tightened.



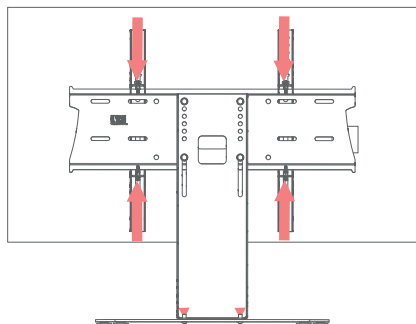
### STEP 3

Locate the mounting holes on the back of your screen. Line the two mounting arms up and using the tag locks and manufacturer recommended screws (in fixings pack), attach the arms to the back of the screen.



### STEP 4

Line the screen and arms up with the secured back plate and offer it up at a slight angle - allowing the top of the arms to hook over the lip of the back plate.



## STEP 5

Gently lower the screen until the arms are securely hanging on top of the back plate. Once centered, adjust the level of the screen with the two top screws on the mount arms. Once leveled secure the screen by tightening the bottom two screws.