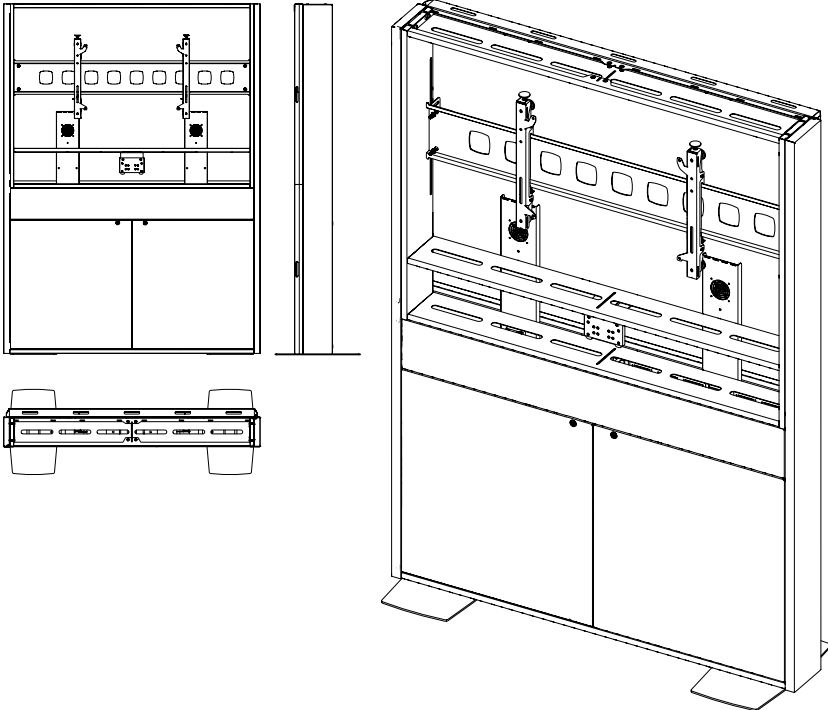




## SUMMIT™ VIDEO CONFERENCE WALLS



Revised 16/07/24

### WARNING

Please carefully inspect the product before assembling. If you notice any apparent damage, call your carrier claims agent and do not continue the installation until it has been reviewed. Please watch for pinch points. Do not put your fingers between moveable parts. Do not tamper with or disassemble any spring loaded parts. Before installing, make sure that the supporting surface will support five times the combined load of the solution and the hardware. Never exceed the maximum load capacity. Please also layout all components to ensure that you have all of the required parts before proceeding (see BOM list on following page). Use of this product for anything other than its specified use may result in failure or personal injury. This product is intended for indoor use only. We recommend using a qualified trades person for installation. Use an assistant or lifting equipment to lift and position products.

For support, please call: +44 (0)1865 767676 or email: sales@unicol.com

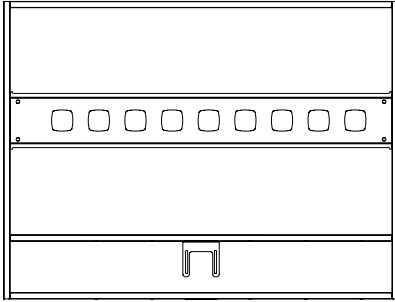


#	TOOLS REQUIRED
1	3/16th, 4mm & 5mm Allen Keys
2	Pozi Head Screwdriver
3	19mm Spanner
4	17mm Spanner

INSTALLERS REQUIRED
2

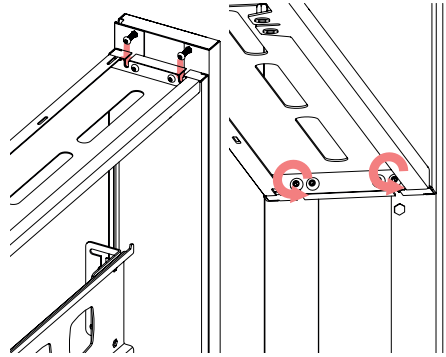
### COMPONENTS

#	DESCRIPTION	QTY
1	Inner Frame (inc. ScreenRail)	x1
2	Outer Leg Support	x2
3	Micro Adjustable Screen Arm (Pair of)	x1
4	Dedicated Sound/Video Bar Mount	x1
5	Internal Shelves (may differ on bigger models)	x2
6	Fan Supports (Pair)	x1
7	Central Frame (may differ on bigger models)	x1
8	Infill Panel	x1
9	Storage Door	x2
10	Lower Rear Panel	x1
11	Bottom Plate	x1
12	Base Plate	x2
13	Upper Rear Panel	x1
14	AV Storage Trays	x4



### STEP 1

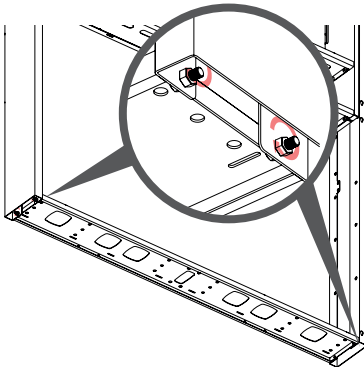
With the help of another person, remove the inner frame from the box and lay it flat (preferably on a sturdy table where possible).



### STEP 2

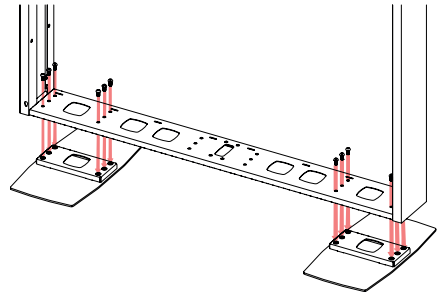
Affix the outer legs to the frame using M8x45 screws, slotting them in from the top and tightening them to secure (left image). Also tighten the M8x45 screws at the bottom of the inner frame, as shown above (right image).

Repeat for the other outer leg.



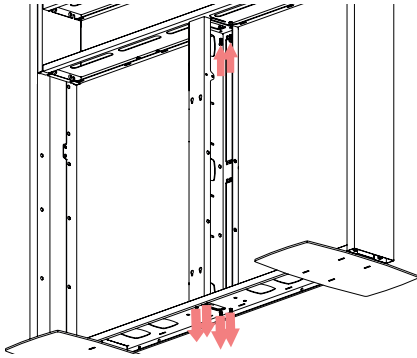
### STEP 3

Slot the bottom plate inbetween the two outer legs and secure by tightening the M8x20 screws into the bottom of the outer legs.



### STEP 4

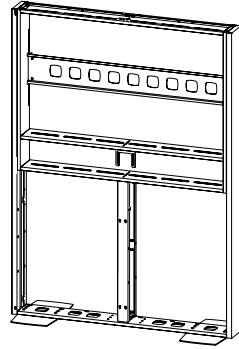
Take the two base plates and offer them up to the bottom plate and secure into position via the 6x M10x20 screw slots.



### STEP 5

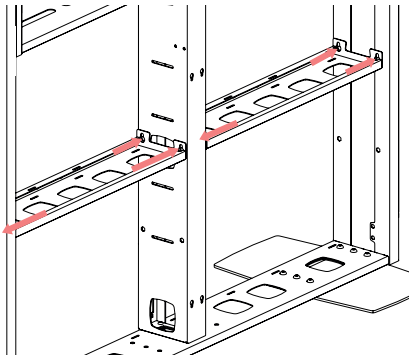
Slot the central frame between the bottom plate and the bottom of the inner frame. Please ensure that the side with keyhole slots is facing the front of the frame with the open side facing the rear. Reaching in to the central frame, secure it into position via 8x M8x20 screw slots.

*In some cases, there may be 2 central frames to fit.*



### STEP 6

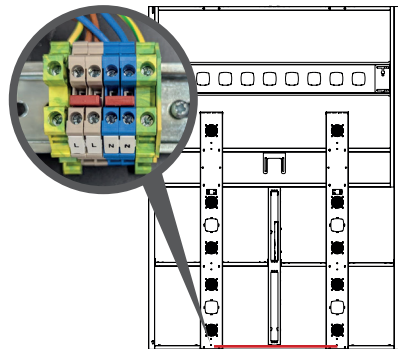
With the help of another person, stand the Summit frame upright, so that it is now freestanding on the floor.



### STEP 7

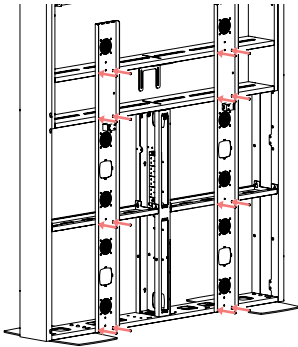
In the middle of the central frame and the middle of the outer legs, there will be 8x M8x20 screws, remove them all and set aside.

Line each shelf up with the fixing holes, as shown above, and fix the screws back into position, tightening to secure each shelf.



### STEP 8

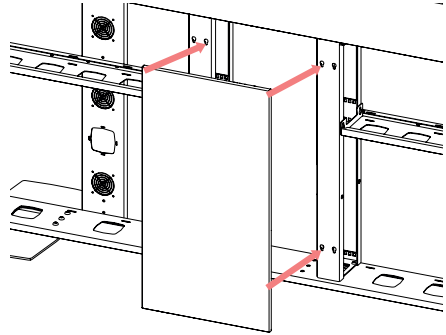
The two fan supports will be connected, please separate them carefully. The fan support that has the earth, neutral, live box at the bottom needs to go on the left hand side of the framework when looking at it from the rear (as shown above). You will need to connect the earth, neutral, live box to a power source.



### STEP 9

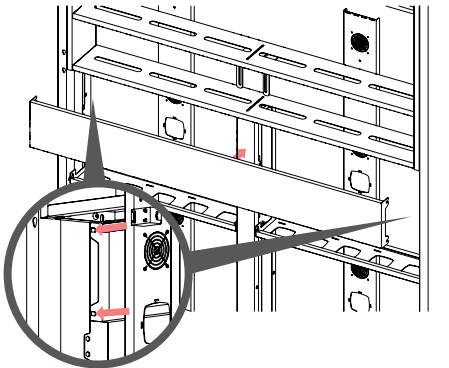
Offer each fan support up to the rear of the outer frame, ensuring that the fans and cabling face the rear and that the connecting cable runs along the bottom of the framework (as above).

Secure into position via 8x M6x16 holes per support (as shown above).



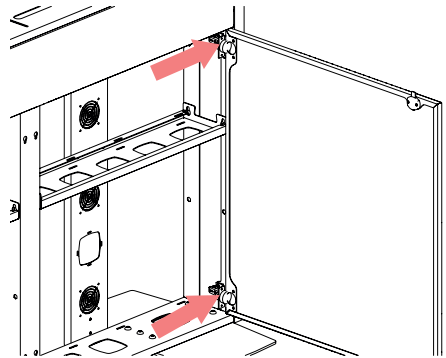
### STEP 10

In some cases, especially with screens over 75" there may be a central door panel which will need fitting next. For this, offer the panel up to the two central frames and hook them over the keyhole slots and drop it into position.



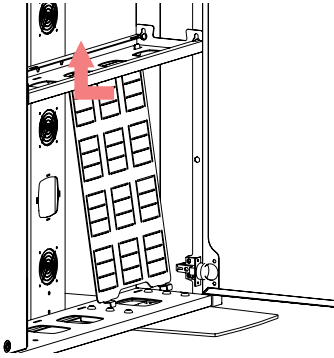
### STEP 11

Next, take the infill panel and offer it up right underneath the inner frame. You will be able to slot it over existing screws on either side. Then around the rear, you will need to tighten the screws to secure.



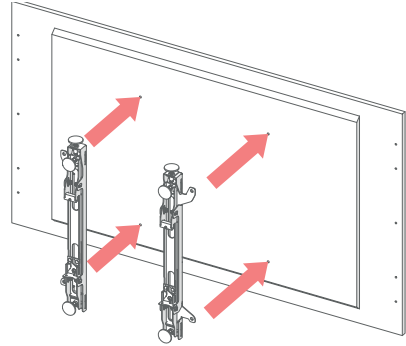
### STEP 12

The doors are pre-hinged and the locking mechanism will always be on the top of the doors. You will simply need to offer the doors up to the other part of the hinge component pre-fixed within the framework and push the clips into place until it clicks.



### STEP 13

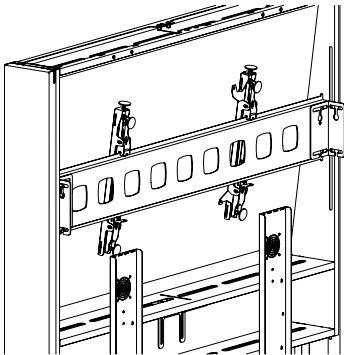
Populate the AV trays as necessary then fit them into the cabinet. To do this, ensure that the longer edges of each tray are at the top, and slot these into the predefined slots within the shelves as shown above. Level the trays and guide the bottom pins to line up and drop into the bottom slots.



### STEP 14

Utilising the fixing pack provided with your mount, attach the arms to the back of your screen.

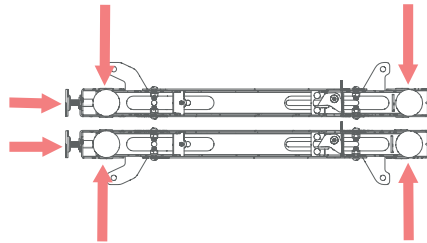
Ensure the arms are the correct way up before tightening - the 'hook' part of the arm should be at the top.



### STEP 15

Using another team member, lift the screen up and gradually offer it up to the back plate. Gently tilting the screen forward, hook the arms over the lip of the back plate and lower once in position.

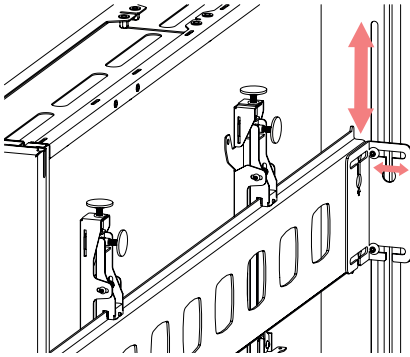
Centre the screen horizontally by sliding from side to side until you are happy with the position. Lock the arms in place by turning the locking lever 90°.



### STEP 16

For fine adjustment (up/down and in/out) use the hand adjustable screws on each arm. Make micro adjustments to ensure each screen is level with each other or within an alcove.

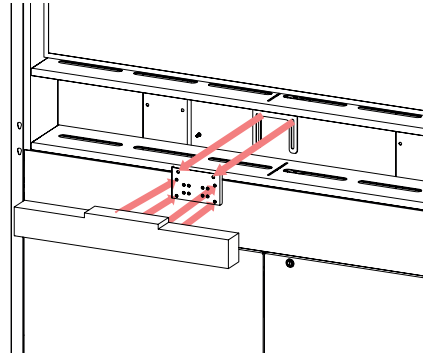
Please note: front of the screen must not protrude out of the frame (max screen depth: 90mm).



### STEP 17

To adjust the screen within the frame above, use the rear adjustment brackets to change both the depth and the vertical positioning of the screen (allowing you to cater for offset VESA patterns).

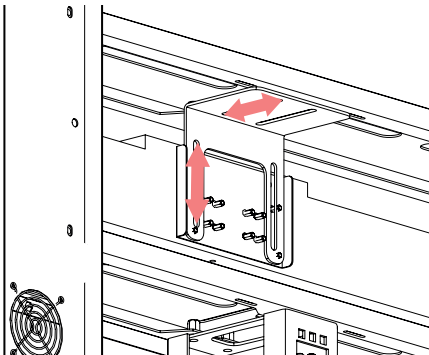
To adjust the brackets, loosen the screws and slide the bracket accordingly - DO NOT remove the screws completely.



### STEP 18

Connect your device to mount plate. Each mount is dedicated to your device so may vary from the image above.

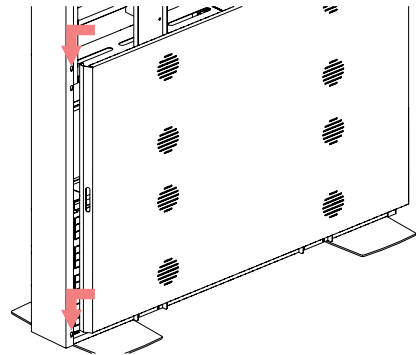
Fix the mount place to the pre-fitted mount in the centre of the framework.



### STEP 19

To adjust the positioning, loosen the screws on the framework mount and adjust the depth and the vertical positioning of the bracket accordingly.

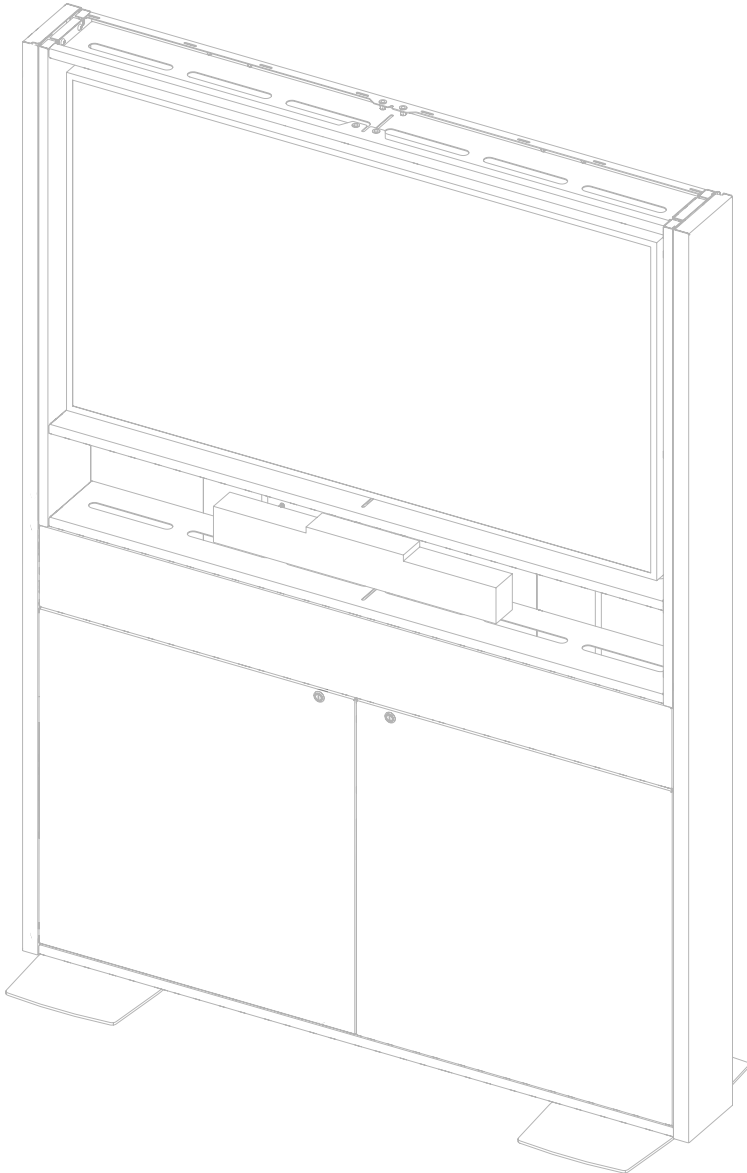
Cable up accordingly.



### STEP 20

Using another team member, lift the lower back panel and offer it up to the rear of the framework. Lower the back panel screws into the keyhole slots and gently drop into position.

Repeat this for the upper back panel.



## Any Questions?

---

+44 (0)1865 767676

sales@unicol.com

unicol.com/instructions