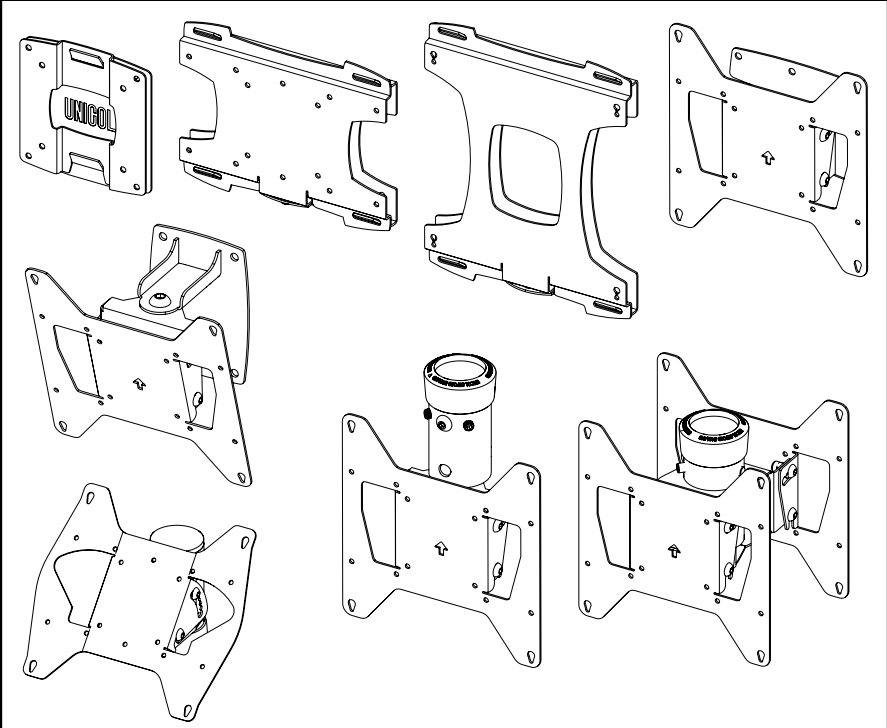




LVC / SVC1 / SVC2 / STV1 / SMV1V / SEV1 / SCV1 / DCV1



Screen Size: 15 - 32" | **Guide Max. Weight:** 15-35kg

Please check model specific details before installing

Revised 22/05/25

WARNING

Please carefully inspect the product before assembling. If you notice any apparent damage, call your carrier claims agent and do not continue the installation until it has been reviewed. Please watch for pinch points. Do not put your fingers between moveable parts. Do not tamper with or disassemble any spring loaded parts. Before installing, make sure that the supporting surface will support five times the combined load of the solution and the hardware. Never exceed the maximum load capacity. Please also layout all components to ensure that you have all of the required parts before proceeding (see BOM list on following page). Use of this product for anything other than its specified use may result in failure or personal injury. This product is intended for indoor use only. We recommend using a qualified trades person for installation. Use an assistant or lifting equipment to lift and position products.

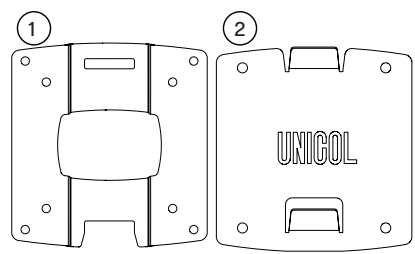
For support, please call: +44 (0)1865 767676 or email: sales@unicol.com



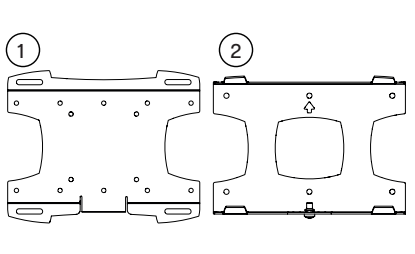
#	TOOLS REQUIRED
1	4mm & 5mm Allen Keys
2	Pozi Head Screwdriver

INSTALLERS REQUIRED
1-2

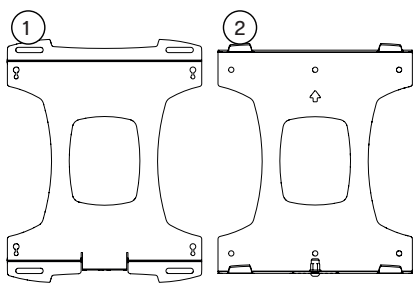
COMPONENTS



#	DESCRIPTION	QTY
1	LVC Screen Mount	1
2	LVC Back Plate	1



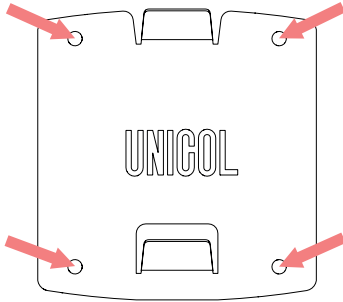
#	DESCRIPTION	QTY
1	SVC1 Screen Mount	1
2	SVC1 Back Plate	1
3	M6x16 Button Head Screw	1



#	DESCRIPTION	QTY
1	SVC2 Screen Mount	1
2	SVC2 Back Plate	1
3	M6x16 Button Head Screw	1



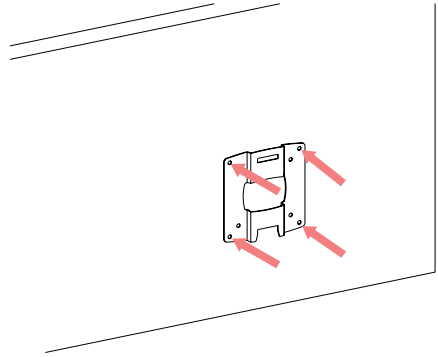
LVC



STEP 1

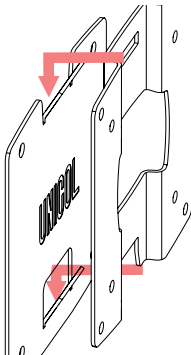
Using the 4 wall mounting slots cut out on the back plate, determine where you want to install your mount, mark it and fix into position.

Please consider cabling and wall fixings prior to installation. Please check surface is capable of supporting 5x the combined solutions weight.



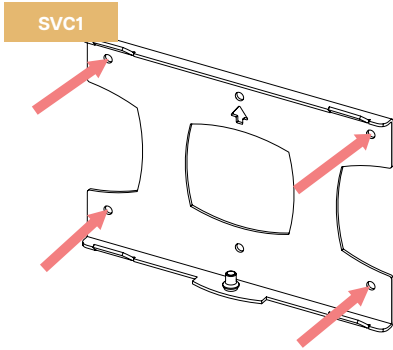
STEP 2

Take the screen mount plate and line it up with the VESA fixings on the back of the screen. Secure using the fixing pack provided and your screen manufacturer recommendations.



STEP 3

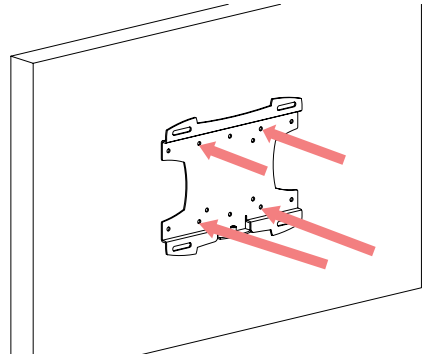
Using another team member, lift the screen up and gradually offer it up to the back plate. Gently tilting the screen forward, ensuring the top hook in the back plate slot into the predetermined hole in the mount plate and gently lower into position.



STEP 1

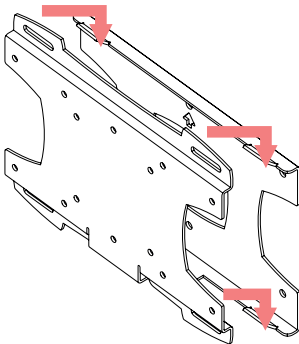
Using the 4 wall mounting slots cut out on the back plate, determine where you want to install your mount, mark it and fix into position.

Please consider cabling and wall fixings prior to installation. Please check surface is capable of supporting 5x the combined solutions weight.



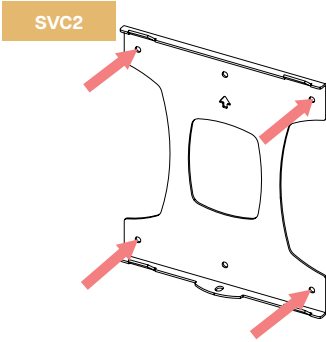
STEP 2

Take the screen mount plate and line it up with the VESA fixings on the back of the screen. Secure using the fixing pack provided and your screen manufacturer recommendations.



STEP 3

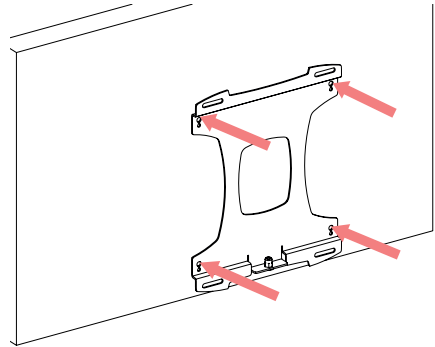
Using another team member, lift the screen up and gradually offer it up to the back plate. Gently tilting the screen forward, ensuring the top hooks in the back plate slot into the predetermined holes in the mount plate and gently lower into position.



STEP 1

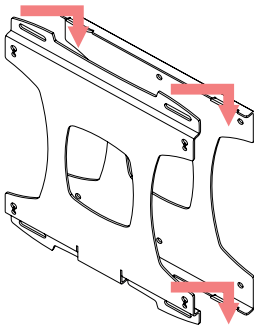
Using the 4 wall mounting slots cut out on the back plate, determine where you want to install your mount, mark it and fix into position.

Please consider cabling and wall fixings prior to installation. Please check surface is capable of supporting 5x the combined solutions weight.



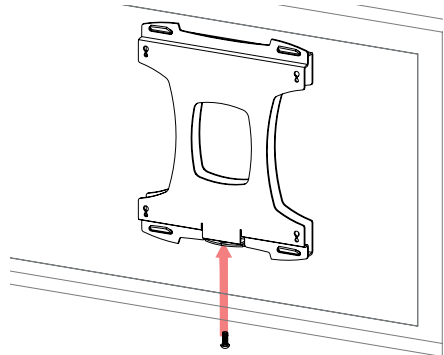
STEP 2

Take the screen mount plate and line it up with the VESA fixings on the back of the screen. Secure using the fixing pack provided and your screen manufacturer recommendations.



STEP 3

Using another team member, lift the screen up and gradually offer it up to the back plate. Gently tilting the screen forward, ensuring the top hooks in the back plate slot into the predetermined holes in the mount plate and gently lower into position.



STEP 4

Secure the mount into place by reaching under the screen and tightening the screw at the bottom of the SVC2.



#	TOOLS REQUIRED
1	4mm & 5mm Allen Keys
2	Pozi Head Screwdriver
3	3/16th Allen Key

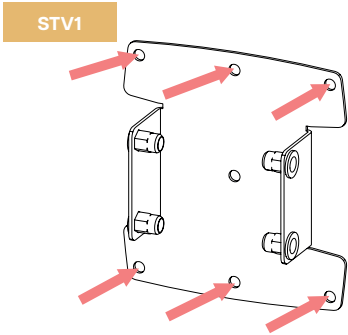
INSTALLERS REQUIRED
1-2

COMPONENTS

#	DESCRIPTION	QTY
1	STV1 Screen Mount	1
2	STV1 Back Plate	1
3	M8x20 Button Head Screw	4

#	DESCRIPTION	QTY
1	SMV1V Screen Mount	1
2	SMV1V Adapter Plate	1
3	SMV1V Back Plate	1
4	M8x20 Button Head Screw	4
5	M12x25 Button Head Screw	1
6	Nyloc M12 Nut	1

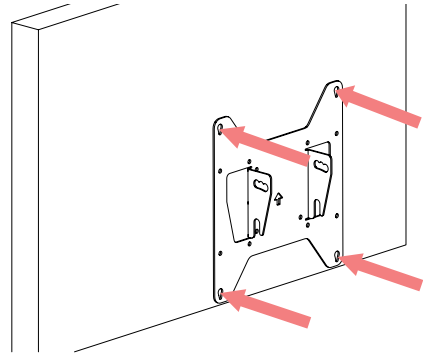
#	DESCRIPTION	QTY
1	SEV1 Screen Mount	1
2	SEV1 Column Socket	1
3	M8x20 Button Head Screws	4



STEP 1

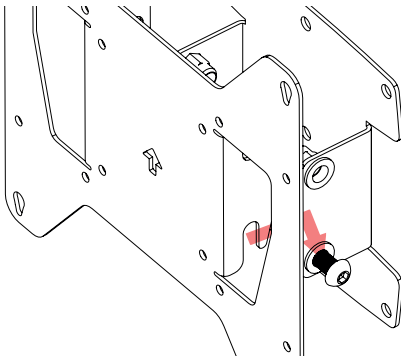
Using the 6 wall mounting slots cut out on the back plate, determine where you want to install your mount, mark it and fix into position.

Please consider cabling and wall fixings prior to installation. Please check surface is capable of supporting 5x the combined solutions weight.



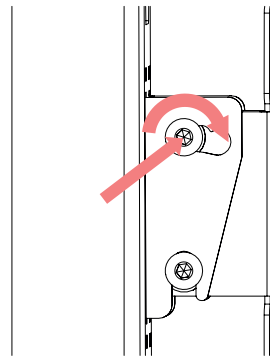
STEP 2

Take the screen mount plate and line it up with the VESA fixings on the back of the screen. Secure using the fixing pack provided and your screen manufacturer recommendations.



STEP 3

Slightly screw in the two bottom side screws so that you can hook the screen mount over them to position. Using another team member, lift the screen up and gradually offer it up to the back plate. Gently hook it over the two screws and tighten them up - leaving some adjustment.

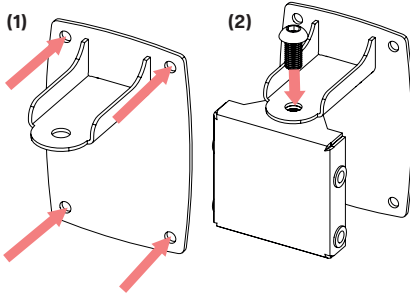


STEP 4

Tilt the screen up until it is at the desired angle and place the two top side screws into position and tighten. Once positioned, fully tighten the bottom two screws.



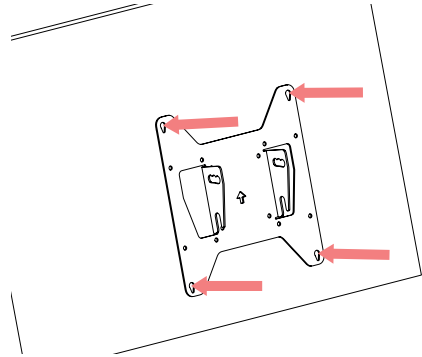
SMV1V



STEP 1

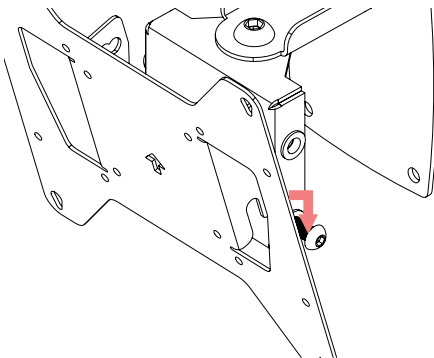
Using the 4 wall mounting slots cut out on the back plate, determine where you want to install your mount, mark it and fix into position. Take the adapter plate and secure into place as per (2).

Please consider cabling and wall fixings prior to installation. Please check surface is capable of supporting 5x the combined solutions weight.



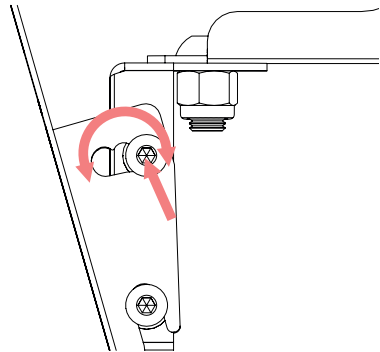
STEP 2

Take the screen mount plate and line it up with the VESA fixings on the back of the screen. Secure using the fixing pack provided and your screen manufacturer recommendations.



STEP 3

Slightly screw in the two bottom side screws so that you can hook the screen mount over them to position. Using another team member, lift the screen up and gradually offer it up to the back plate. Gently hook it over the two screws and tighten them up - leaving some adjustment.

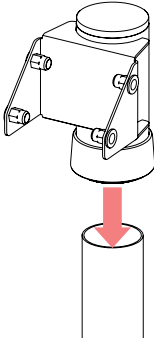


STEP 4

Tilt the screen up until it is at the desired angle and place the two top side screws into position and tighten. Once positioned, fully tighten the bottom two screws.

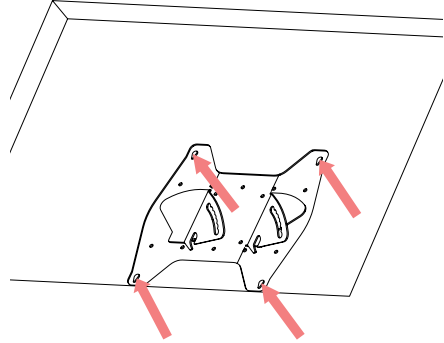


SEV1



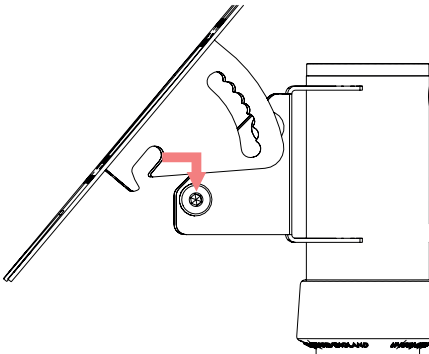
STEP 1

Place the SEV socket over one end of your chosen column length. Once in position, tighten the grub screw at the back to secure.



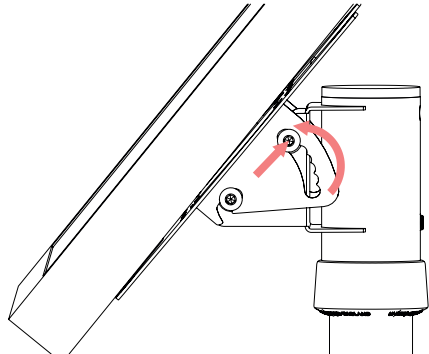
STEP 2

Take the screen mount plate and line it up with the VESA fixings on the back of the screen. Secure using the fixing pack provided and your screen manufacturer recommendations.



STEP 3

Slightly screw in the two bottom side screws so that you can hook the screen mount over them to position. Using another team member, lift the screen up and gradually offer it up to the back plate. Gently hook it over the two screws and tighten them up - leaving some adjustment.



STEP 4

Tilt the screen up until it is at the desired angle and place the two top side screws into position and tighten. Once positioned, fully tighten the bottom two screws.



#	TOOLS REQUIRED
1	4mm & 5mm Allen Keys
2	Pozi Head Screwdriver
3	3/16th Allen Key

INSTALLERS REQUIRED
1-2

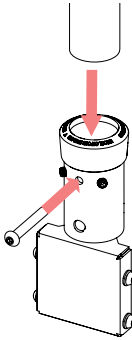
COMPONENTS

#	DESCRIPTION	QTY
1	SCV1 Screen Mount	1
2	SCV1 Column Socket & Adapter	1
3	M8x20 Button Head Screw	4

#	DESCRIPTION	QTY
1	DCV1 Screen Mount	2
2	DCV1 Column Socket & Adapter	1
3	M8x20 Button Head Screw	8

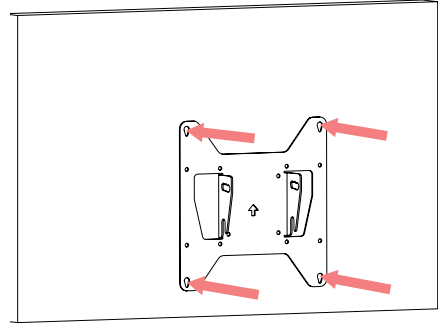


SCV1



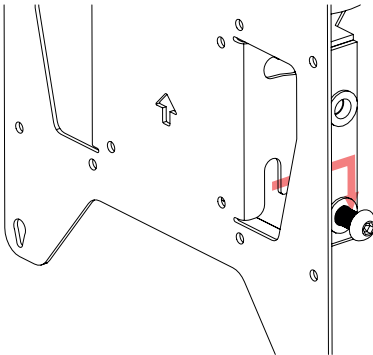
STEP 1

Slot cabling through the suspension mount socket and slide the mount over the column, ensuring that the two holes either side align with those on the column. Slide the through bolt through the holes and secure. Tighten the two grub screws at the rear.



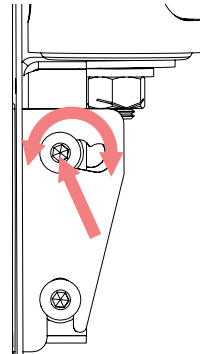
STEP 2

Take the screen mount plate and line it up with the VESA fixings on the back of the screen. Secure using the fixing pack provided and your screen manufacturer recommendations.



STEP 3

Slightly screw in the two bottom side screws so that you can hook the screen mount over them to position. Using another team member, lift the screen up and gradually offer it up to the back plate. Gently hook it over the two screws and tighten them up - leaving some adjustment.

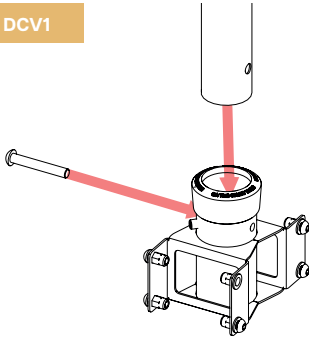


STEP 4

Tilt the screen up until it is at the desired angle and place the two top side screws into position and tighten. Once positioned, fully tighten the bottom two screws.

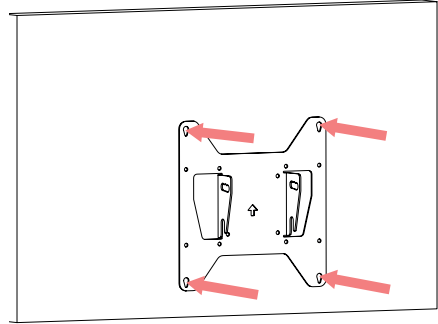


DCV1



STEP 1

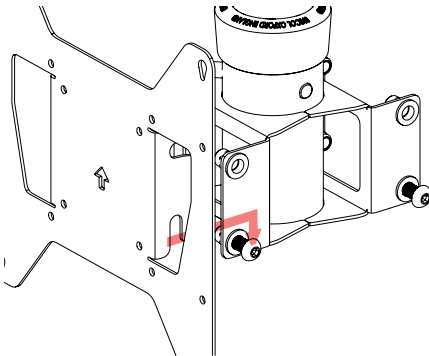
Slot cabling through the suspension mount socket and slide the mount over the column, ensuring that the two holes either side align with those on the column. Slide the through bolt through the holes and secure. Tighten the two grub screws at the rear.



STEP 2

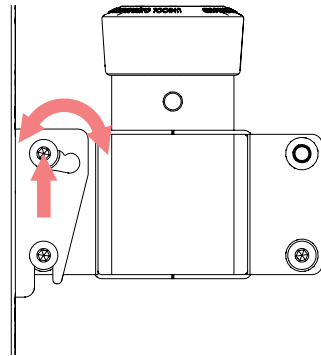
Take a screen mount plate and line it up with the VESA fixings on the back of one of the screens. Secure using the fixing pack provided and your screen manufacturer recommendations.

Repeat for the second screen.



STEP 3

Slightly screw in the two bottom side screws so that you can hook the screen mount over them to position. Using another team member, lift the screen up and gradually offer it up to the back plate. Gently hook it over the two screws and tighten them up - leaving some adjustment.



STEP 4

Tilt the screen up until it is at the desired angle and place the two top side screws into position and tighten. Once positioned, fully tighten the bottom two screws.

Repeat Step 3 & 4 to mount the second screen.