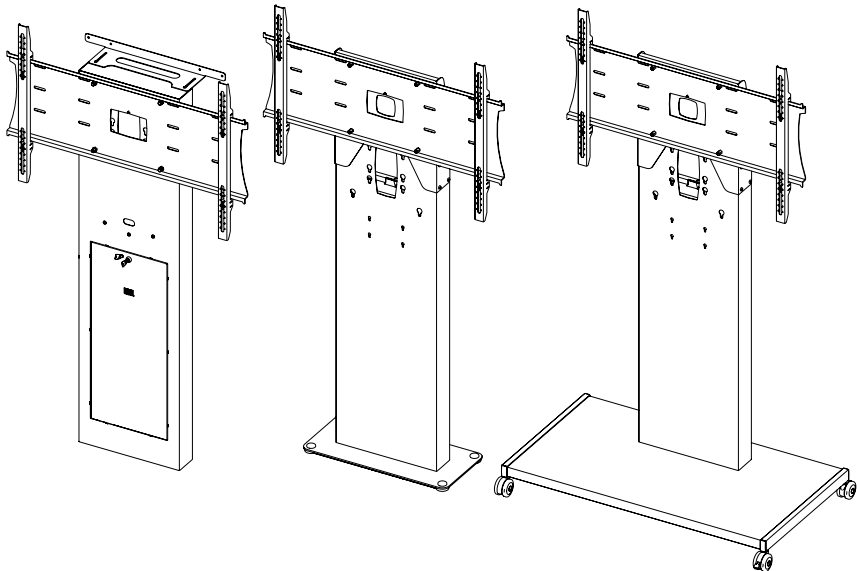




## RH100-HD / RHBD100-HD / RFWSH-HD



**Screen Size:** 71 - 110" | **Guide Max. Weight:** 80-150kg

\*Please check model specific details before installing\*

Revised 21/05/25

### WARNING

Please carefully inspect the product before assembling. If you notice any apparent damage, call your carrier claims agent and do not continue the installation until it has been reviewed. Please watch for pinch points. Do not put your fingers between moveable parts. Do not tamper with or disassemble any spring loaded parts. Before installing, make sure that the supporting surface will support five times the combined load of the solution and the hardware. Never exceed the maximum load capacity. Please also layout all components to ensure that you have all of the required parts before proceeding (see BOM list on following page). Use of this product for anything other than its specified use may result in failure or personal injury. This product is intended for indoor use only. We recommend using a qualified trades person for installation. Use an assistant or lifting equipment to lift and position products.

For support, please call: +44 (0)1865 767676 or email: sales@unicol.com

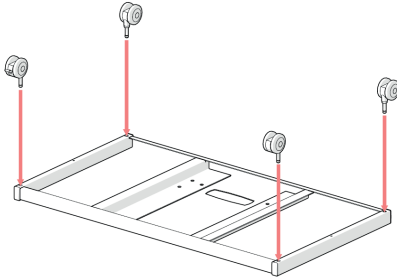


#	TOOLS REQUIRED
1	4mm & 5mm Allen Keys
2	Pozi Head Screwdriver
3	19mm Spanner
4	17mm Spanner

INSTALLERS REQUIRED
1 - 2

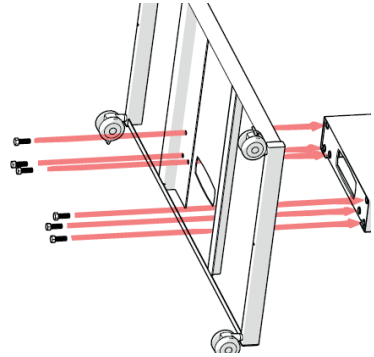
**COMPONENTS**

#	DESCRIPTION	QTY
1	Rhobus Mast Extender	1
2	Universal Mount Back Plate	1
3	Rhobus Heavy Duty Mast (Trolley & Bolt Down)	1
4	Universal Mount Arms	2
5	Rhobus Heavy Duty Trolley Base	1
6	Trolley Castors	4
7	Alternative Stand Feet	4
8	Rhobus Heavy Duty Mast (Floor-to-Wall)	1
9	Alternative Bolt Down Base	1
10	Alternative Floor-to-Wall Tie	1
11	Alternative Floor-to-Wall Base	1



### STEP 1a

For a stand version, insert the plastic feet. For a trolley version, tap castors with the rubber mallet until they lock into place (ensure braked castors are at the front).

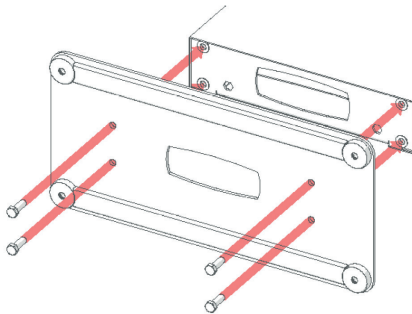


### STEP 2a

Connect base to mast as shown using the 6 button head allen fixings supplied.

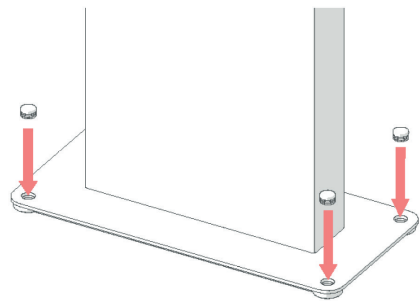
Bring to the upright position and apply brakes on castors (brake lever pressed down)

Continue on from Step 3.



### STEP 1b

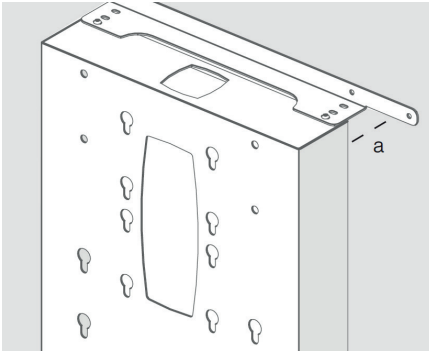
With mast laying flat on a table (as shown above) pick up the base and offer the base to the mast. Ensure fixing holes are aligned and then secure.



### STEP 2b

Once secure, stand the stand upright and place on a flat, stable surface. Mark position of holes, as highlighted above, and fix into the floor.

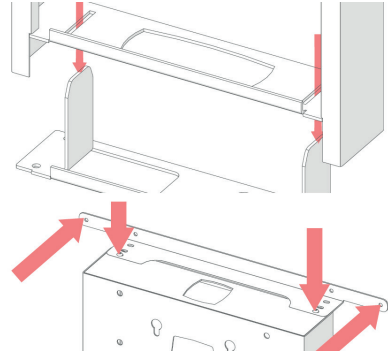
Continue on from Step 3.



### STEP 1c

Considering skirting boards and cable caddies, offer the mast up to the wall using the wall bracket as a guide with how far out you'd like it to sit (a).

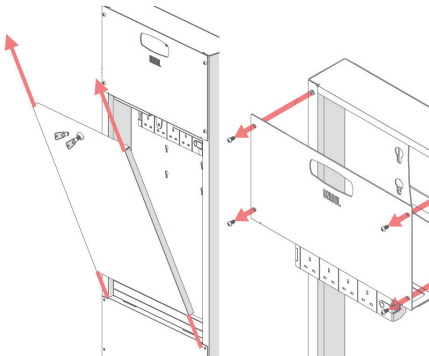
Identify bolt down base positioning, mark and fix into position.



### STEP 2c

Gently place the mast over the base as shown above - making sure cables don't get caught. Mark out the positioning for the wall tie, then fix to the top of the Rhobus mast and the wall.

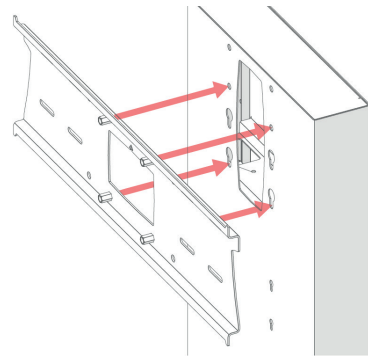
Go to Step 4 and continue.



### STEP 3

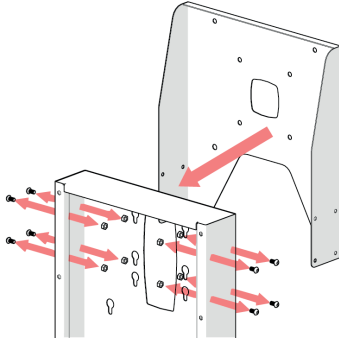
Unlock and lift out rear door. Remove upper rear panel by unscrewing 4x M6 screws.

- For Mast height of 1.4m continue
- For Mast height of 1.8m go to Step 5



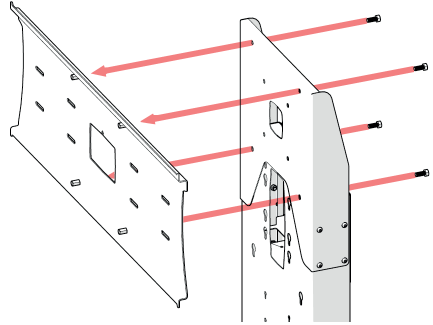
### STEP 4 (1.4m Mast)

Place 2x screws in the bottom two rivnuts of the mount back plate and slot into chosen keyholes in mast. From the rear, screw in top two screws into the back plate and fully tighten all 4 screws. (Go to Step 7).



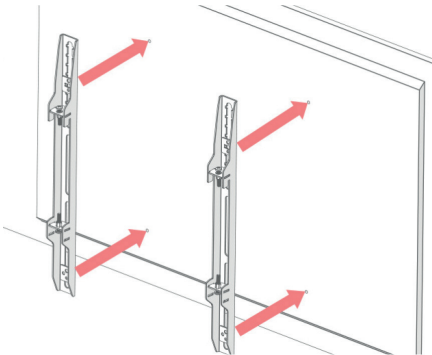
### STEP 5 (1.8m Mast)

To increase the mast height to 1.8m fit the extender. Line up the 4 holes on either side the extender with the corresponding holes at the top of the mast and fix using the 8 screws and nuts supplied.



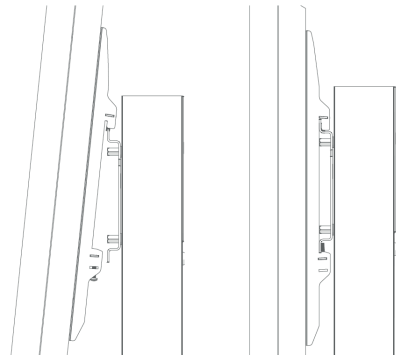
### STEP 6 (1.8m Mast)

Fix mount backplate by screwing through the extender from the rear with 4 x M10 x 25 hex screws supplied.



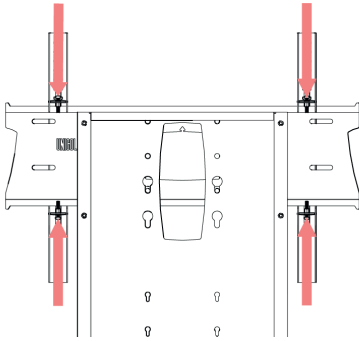
### STEP 7

Locate the mounting holes on the back of your screen. Line the two mounting arms up and using the taglocks/two part spacers provided and the manufacturer recommended screws, attach the arms to the back of the screen.



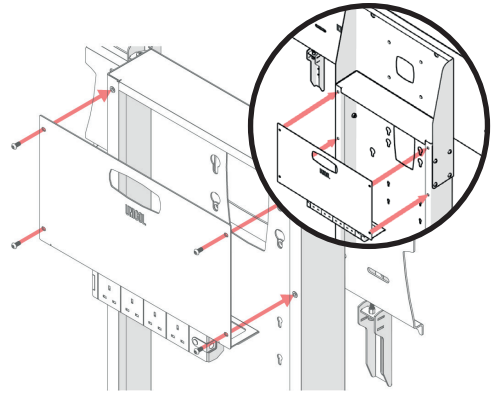
### STEP 8

Line the screen and arms up with the secured back plate and offer it up at a slight angle - allowing the top of the arms to hook over the lip of the back plate. Gently lower the screen until the arms are securely hanging on top of the back plate. Move the screen left or right to centre it.



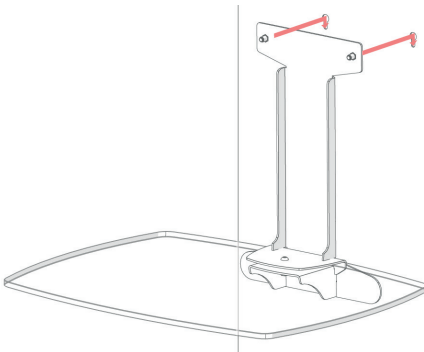
### STEP 9

Once centered, adjust the level of the screen with the two top screws on the mount arms. Once levelled secure the screen by tightening the bottom two screws.



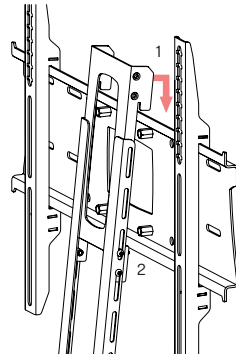
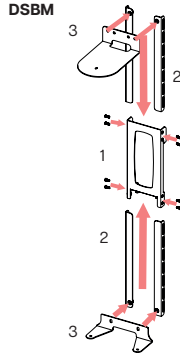
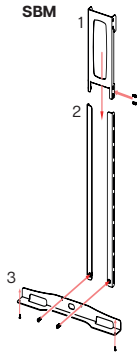
### STEP 10

Feed cables for screen through hole in backplate and front of mast and down through cable access. Refit rear top pane using x4 M6 screws. Refit rear door and lock.



### STEP 11 [OPTIONAL]

Optional shelf install. Hook screws into keyhole slots in front of mast. Fully tighten screw from rear.



### SBM / DSBM GENERAL ASSEMBLY INSTRUCTIONS

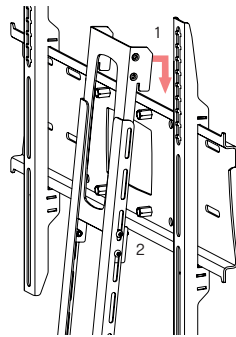
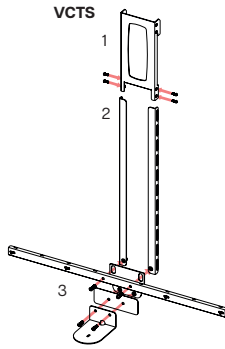
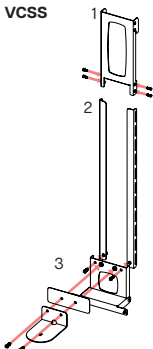
Connect your device to mount plate<sup>3</sup>. Each mount is dedicated to your device so may vary from the image above.

Connect rails<sup>2</sup> to mount unit<sup>1</sup>. To adjust sound bar height, simply fix in the slots that best suit. Connect the mount plate<sup>3</sup> to the bottom of the rails<sup>2</sup>.

### SBM9 / DSBM9

Each style can be mounted with the devices above or below the screen. Hook the assembled bracket over the rail of the PZX screen mount back plate.<sup>1</sup>

Adjust the horizontal positioning to suit, then tighten the screws underneath to secure into position.<sup>2</sup>



### GENERAL ASSEMBLY INSTRUCTIONS

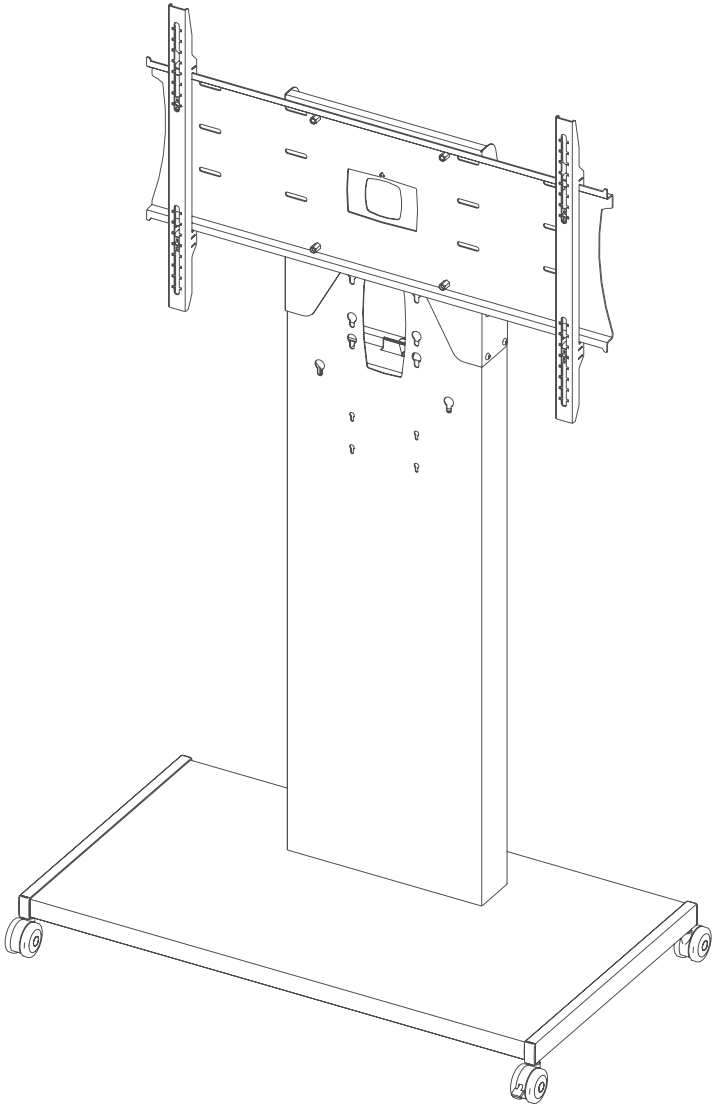
Connect your device to mount plate<sup>3</sup>. Each mount is dedicated to your devices so may vary from the image above.

Connect rails<sup>2</sup> to mount unit<sup>1</sup>. To adjust sound/ VC bar height, simply fix in the slots that best suit. Connect the mount plate<sup>3</sup> to the bottom of the rails<sup>2</sup>.

### VCSS9 / VCTS9

Each style can be mounted with the devices above or below the screen. Hook the assembled bracket over the rail of the PZX screen mount back plate.<sup>1</sup>

Adjust the horizontal positioning to suit, then tighten the screws underneath to secure into position.<sup>2</sup>



## Any Questions?

---

+44 (0)1865 767676

sales@unicol.com

unicol.com/instructions