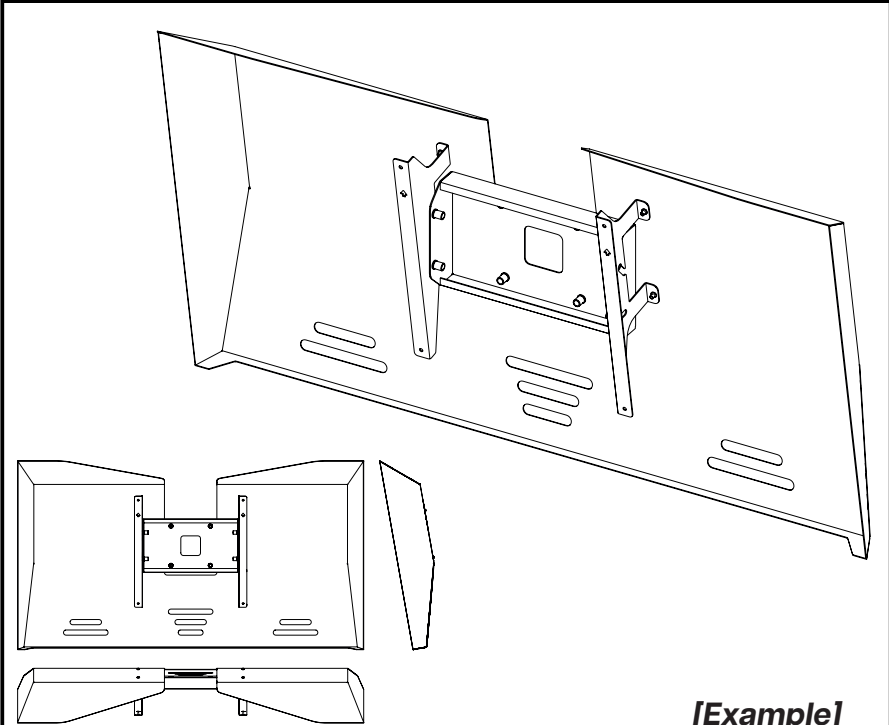




BCW / BCX



[Example]

Screen Size: 33 - 75" | Guide Max. Weight: n/a

Please check model specific details before installing

Revised 22/05/25

WARNING

Please carefully inspect the product before assembling. If you notice any apparent damage, call your carrier claims agent and do not continue the installation until it has been reviewed. Please watch for pinch points. Do not put your fingers between moveable parts. Do not tamper with or disassemble any spring loaded parts. Before installing, make sure that the supporting surface will support five times the combined load of the solution and the hardware. Never exceed the maximum load capacity. Please also layout all components to ensure that you have all of the required parts before proceeding (see BOM list on following page). Use of this product for anything other than its specified use may result in failure or personal injury. This product is intended for indoor use only. We recommend using a qualified trades person for installation. Use an assistant or lifting equipment to lift and position products.

For support, please call: +44 (0)1865 767676 or email: sales@unicol.com

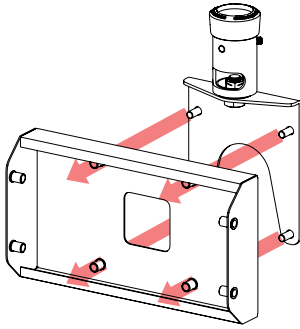


| # | TOOLS REQUIRED |
|---|-----------------------|
| 1 | 4mm & 5mm Allen Keys |
| 2 | Pozi Head Screwdriver |

| INSTALLERS REQUIRED |
|---------------------|
| 1-2 |

COMPONENTS

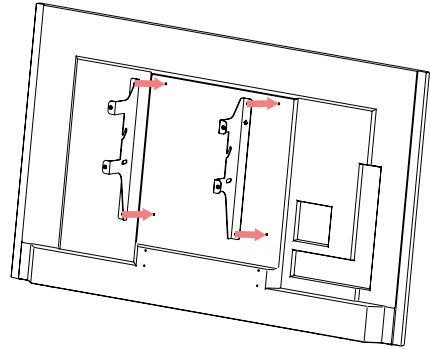
| # | DESCRIPTION | QTY |
|---|--|-----|
| 1 | PLX / PLW Dedicated Mount Back Plate <i>(Example)</i> | 1 |
| 2 | PLX / PLW Dedicated Screen Mount Arms <i>(Example)</i> | 2 |
| 3 | Rear Cover <i>(Example)</i> | 1 |
| 4 | Fixing Pack | 1 |



STEP 1 [EXAMPLE]

Mount your dedicated back plate to your choice of mount. Each rear cover is dedicated to your choice of screen and also your intended application so your mounting options may vary.

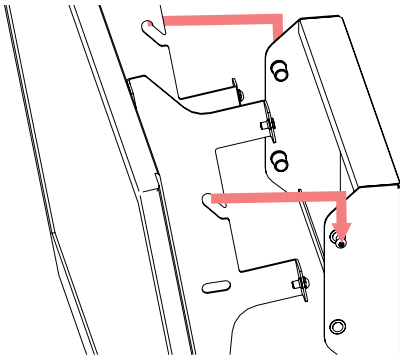
Example above shows the backplate mounting to a ceiling suspension adapter. Any sort of adapter would be connected as above.



STEP 2

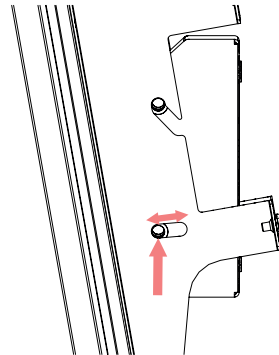
Utilising the fixing pack provided (and following the manufacturers recommendations) with your mount, attach the arms to the back of your screen.

Ensure the arms are the correct way up before fully tightening.



STEP 3

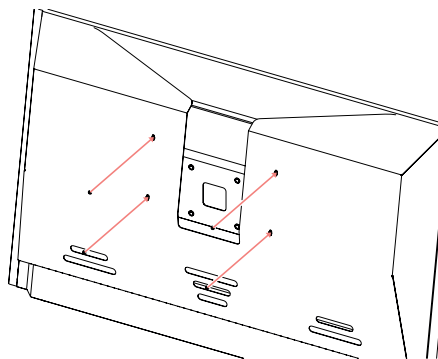
Slightly screw in the two top side screws so that you can hook the screen mount over them to position. Using another team member, lift the screen up and gradually offer it up to the back plate. Gently hook it over the two screws and tighten them up - leaving some adjustment.



STEP 4

If using tilting arms, tilt the screen up until it is at the desired angle and place the two bottom side screws into position and tighten. Once positioned, fully tighten all the screws.

Once secured, cable everything up.



STEP 5

Offer the rear cover up to the back of the screen, being careful of any cables, and line the fixing holes with those on the back of the screen arms. Screw through from the rear to secure into place.