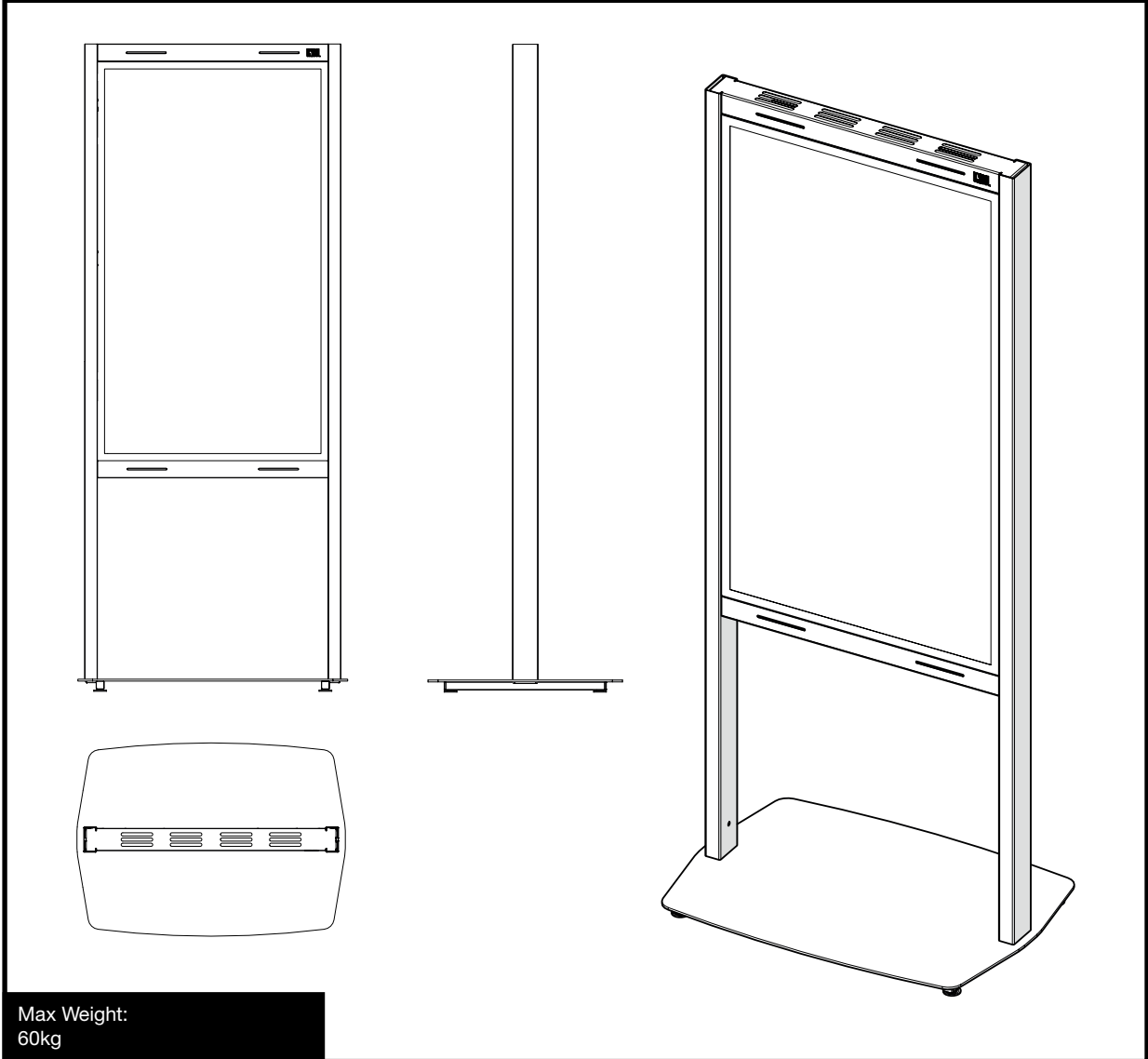


ODS DOUBLE SIDED KIOSK OBELISK DIGITAL SIGNAGE SYSTEM

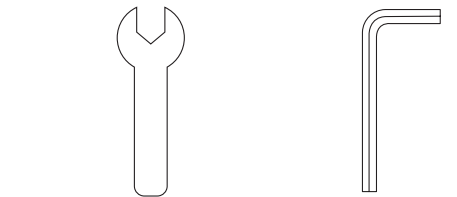


Max Weight:
60kg

WARNING

Please carefully inspect the product before assembling. If you notice any apparent damage, call your carrier claims agent and do not continue the installation until it has been reviewed. Please watch for pinch points. Do not put your fingers between moveable parts. Do not tamper with or disassemble any spring loaded parts. Before installing, make sure that the supporting surface will support five times the combined load of the solution and the hardware. Never exceed the maximum load capacity. Please also layout all components to ensure that you have all of the required parts before proceeding (see BOM list on following page). Use of this product for anything other than its specified use may result in failure or personal injury. This product is intended for indoor use only. We recommend using a qualified trades person for installation. Use an assistant or lifting equipment to lift and position products. For support, please call: +44 (0)1865 767676.

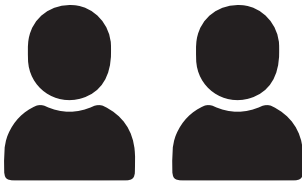
TOOLS REQUIRED



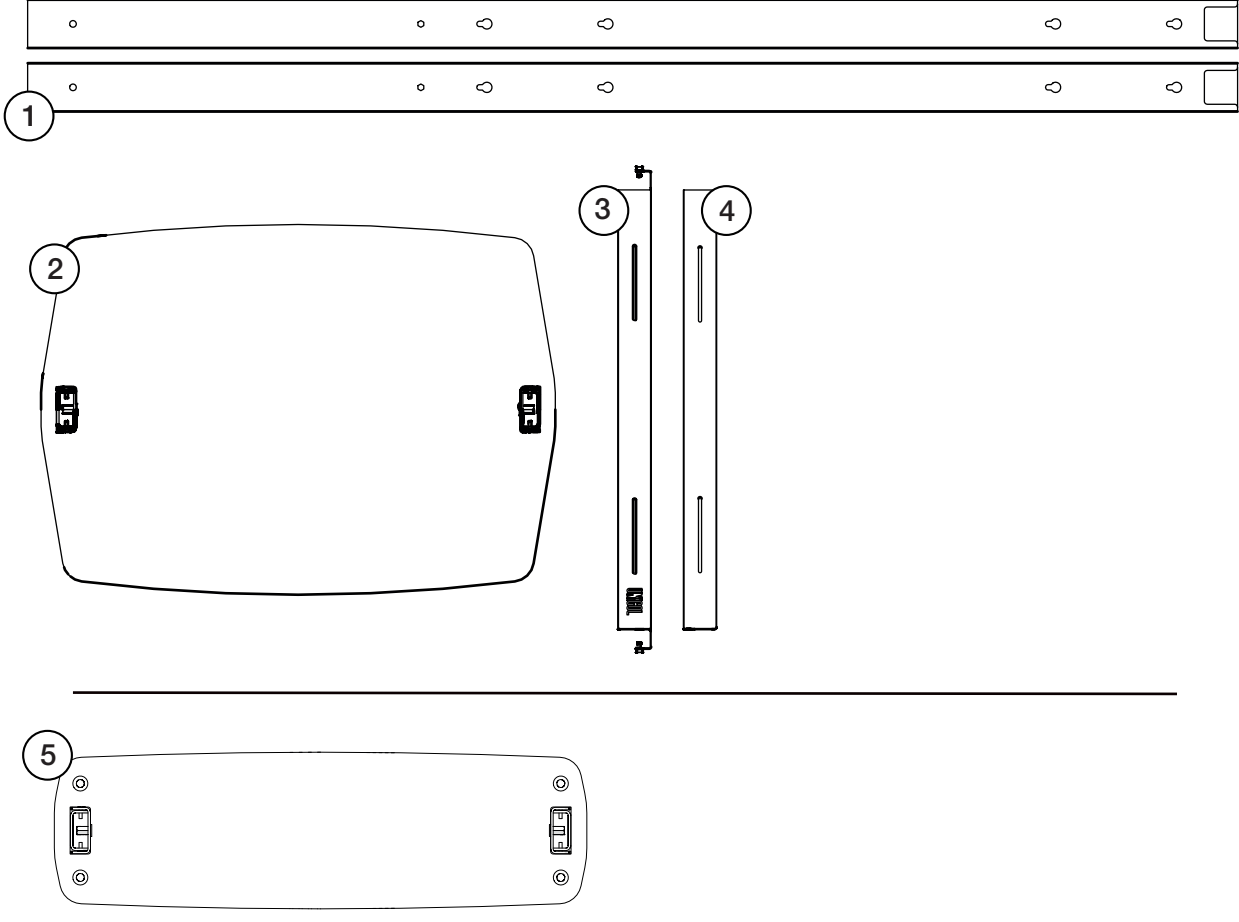
13mm
(Preferably ratchet spanner)

4 & 5mm

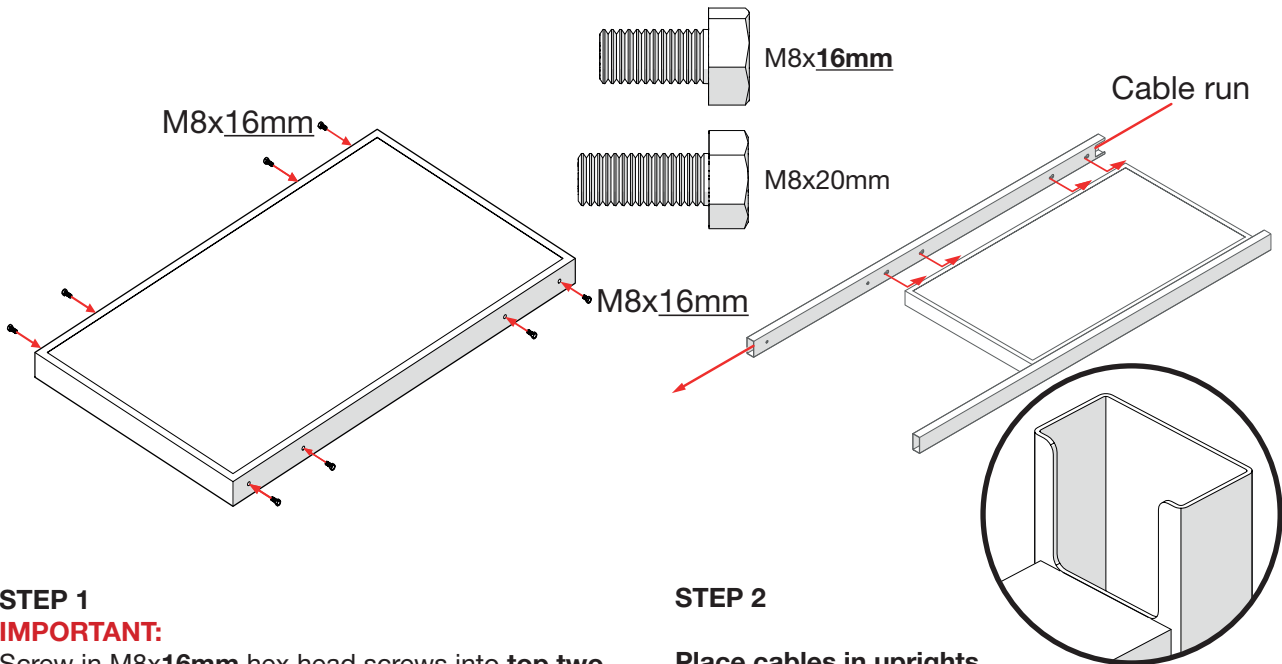
INSTALLERS REQUIRED



COMPONENTS



#	DESCRIPTION	QTY	#	DESCRIPTION	QTY
1	2m Uprights	2	5	Alternative bolt down base	-
2	ODS Freestanding base	1	6	M8x16 Hex head machine screw	2
3	Top cover	1	7	M8x20 Hex head machine screw	6
4	Bottom cover	1			



STEP 1

IMPORTANT:

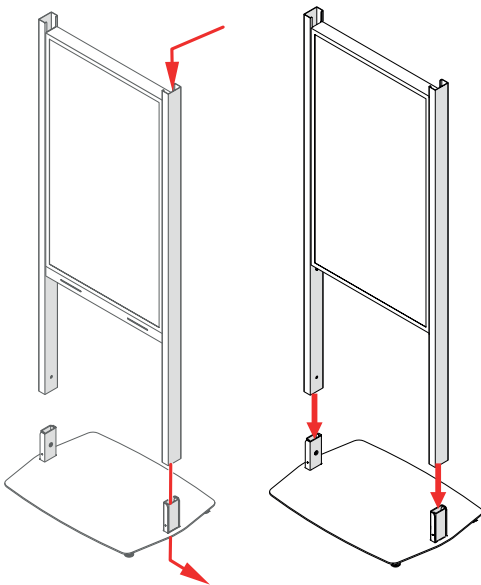
Screw in **M8x16mm** hex head screws into **top two** fixings in screen - leave at least 2mm gap in order to slot into uprights
 Finger tighten **M8x20mm** hex head screws into 6 lowest fixings holes to bottom of thread which will give you the required gap.

STEP 2

Place cables in uprights.

Slot uprights onto screen so that it is flush with bottom of the cut out within the uprights.

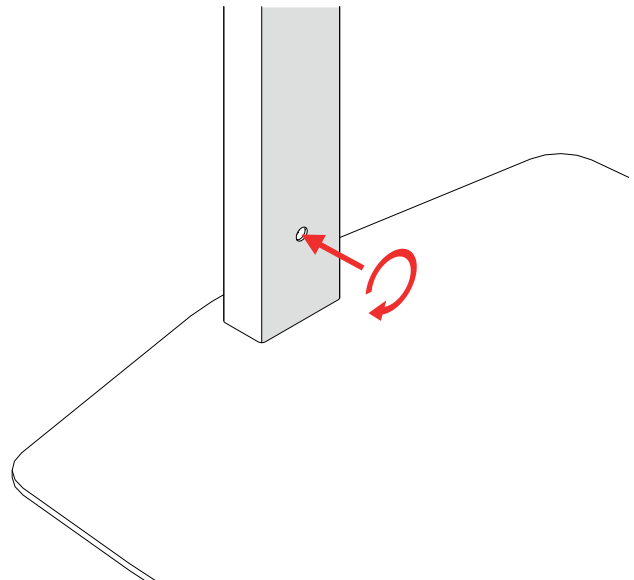
Fully tighten top screws using spanner; preferably a ratchet spanner. Check all secure.



STEP 3

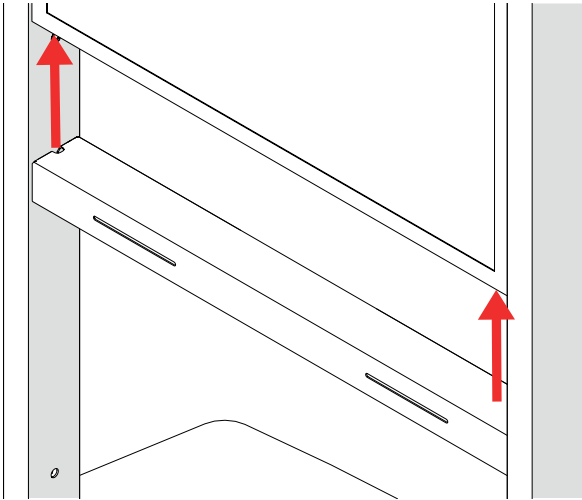
Gripping the uprights only, lift the screen and lower over the upright mounts on the base.

Watch out for your cabling - ensure it does not get pinched in the process.



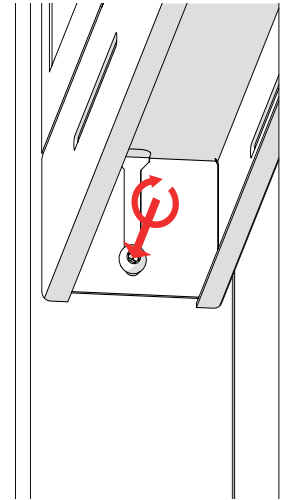
STEP 4

Fully tighten grub screws located in upright mounts on the base.



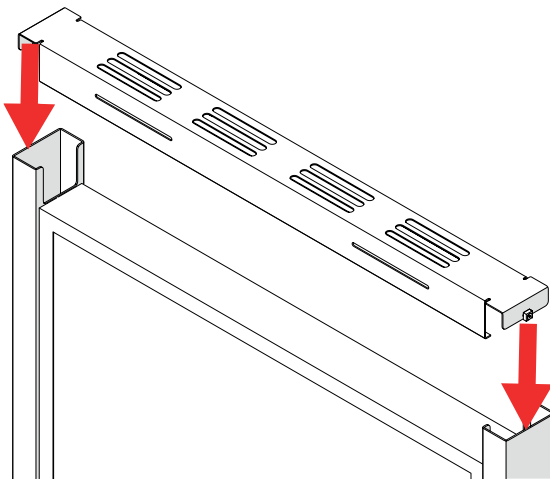
STEP 5

Locate the bottom cover and slide it into position. The open end should be facing down and the two small cutouts facing up. This will allow you to slide over the fixing screws.



STEP 6

Looking underneath the bottom cover, tighten the two fixing screws. Ensure that the cover is flush with the bottom of the screen.



STEP 7

Locate the top cover and clip into place.

Please note; this is held on magnetically and does not need screwing into place.

Drill 11mm Dia hole through upright inner side

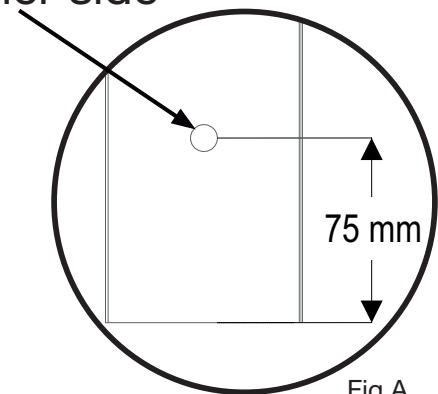


Fig A

FOR REFERENCE

Upright mount grub screw hole

Note: You can shorten the unit by cutting the up-rights to the desired height from the bottom. Drill a new hole to access the base mounting post grub screw - see Fig A