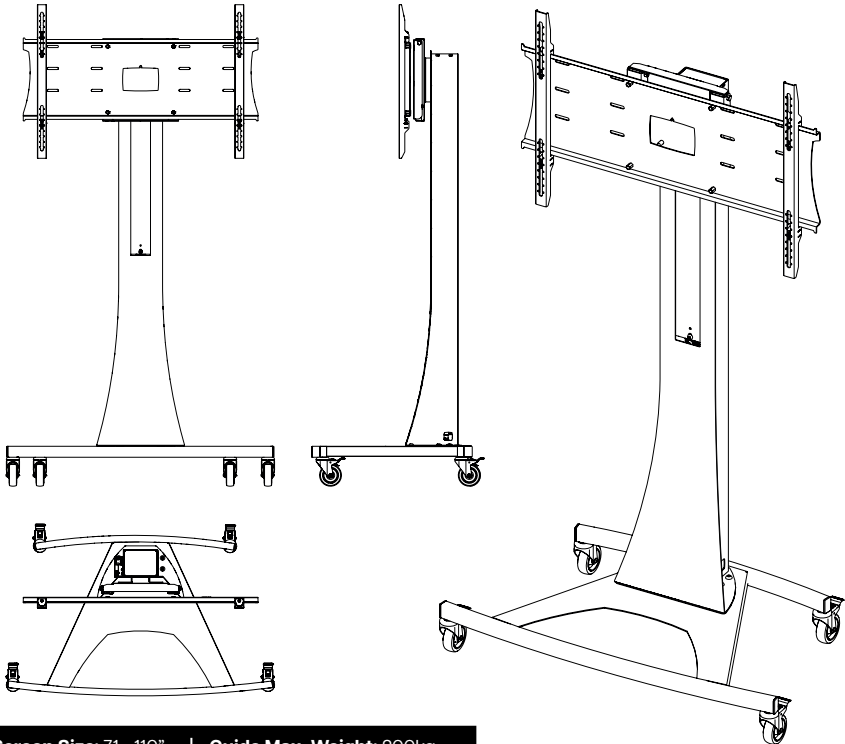




## AXT15TPL



**Screen Size:** 71 - 110" | **Guide Max. Weight:** 200kg

\*Please check model specific details before installing\*

Revised 26/04/24

### WARNING

Please carefully inspect the product before assembling. If you notice any apparent damage, call your carrier claims agent and do not continue the installation until it has been reviewed. Please watch for pinch points. Do not put your fingers between moveable parts. Do not tamper with or disassemble any spring loaded parts. Before installing, make sure that the supporting surface will support five times the combined load of the solution and the hardware. Never exceed the maximum load capacity. Please also layout all components to ensure that you have all of the required parts before proceeding (see BOM list on following page). Use of this product for anything other than its specified use may result in failure or personal injury. This product is intended for indoor use only. We recommend using a qualified trades person for installation. Use an assistant or lifting equipment to lift and position products.

For support, please call: +44 (0)1865 767676 or email: sales@unicol.com

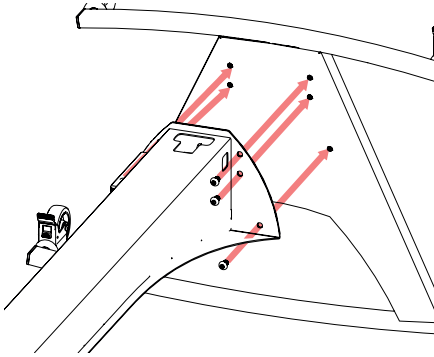


#	TOOLS REQUIRED
1	5mm Allen Keys
2	Pozi Head Screwdriver
3	19mm Spanner
4	17mm Spanner

INSTALLERS REQUIRED
1

**COMPONENTS**

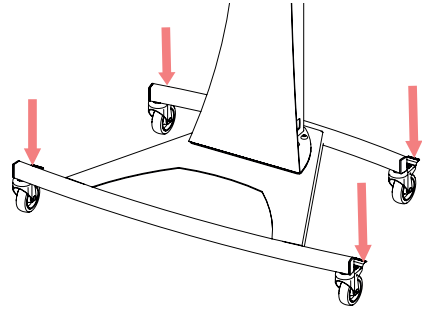
#	DESCRIPTION	QTY
1	Axia Titan PowaLift Mast	1
2	Axia Titan PowaLift Trolley Base	1
3	Universal PZX9 Screen Mount	1
4	Universal PZX9 Screen Arms	2
5	Converter Plate	1
6	Remote Control & Wired DPF Remote	1



### STEP 1

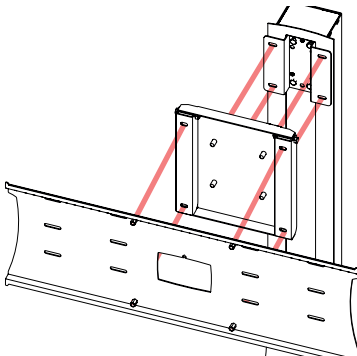
With mast laying flat on a table (as shown above) pick up the base with the help of another person and offer the base to the mast. Ensure fixing holes are aligned and then secure with M12x25 screws.

Castors/plinth pegs will already be fitted.



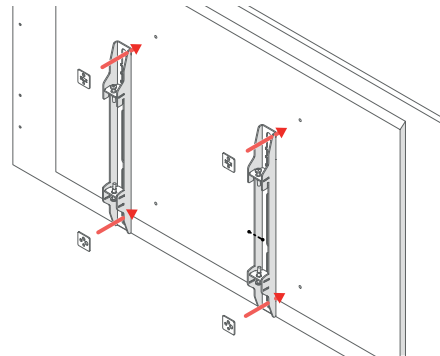
### STEP 2

Once secure, stand the trolley upright and place on a flat, stable surface. Lock the brakes located on all castors to prevent movement.



### STEP 3

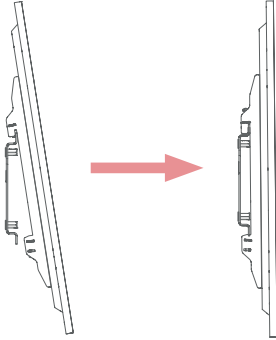
Line the back plate up with the fixing holes at top of mast. Fix 4 x M10x25 hex screws through mast to locate into back plate. Ensure back plate is secure and screws are tightened.



### STEP 4

Locate the mounting holes on the back of your screen. Line the two mounting arms up (position arm hooks at the top of the screen) and using the tag locks and manufacturer recommended screws provided, attach the arms to the screen.

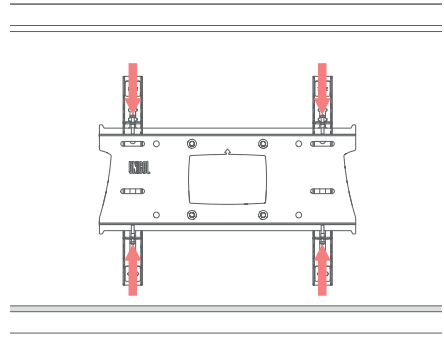
Unwind the bottom two fixing screws on the arms in preparation for step 5.



## STEP 5

Using another team member, lift the screen up and gradually offer it up to the back plate. Gently tilting the screen forward, hook the arms over the lip of the back plate and lower once in position.

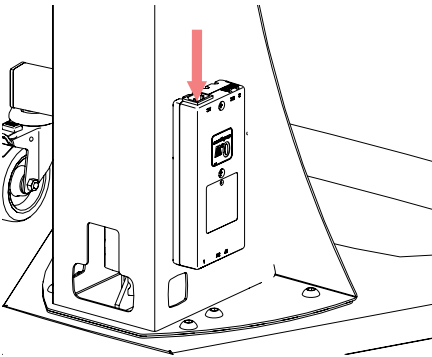
Centre the screen horizontally by sliding from side to side until you are happy with the position.



## STEP 6

Once centred, ensure the bottom screws are not screwed tight and screw down the top screws to level the screen. Once level tighten bottom screws to secure the mount.

Note that you won't be able to adjust the screen position after the screws have been tightened.



## STEP 7

To operate the unit connect the cable provided to a power source and plug the 'kettle' connector into the rear of the unit. Set up display and any AV accessories. Use the Remote Control provided and operate the actuator to rise and descend to ensure its full travel to complete installation.