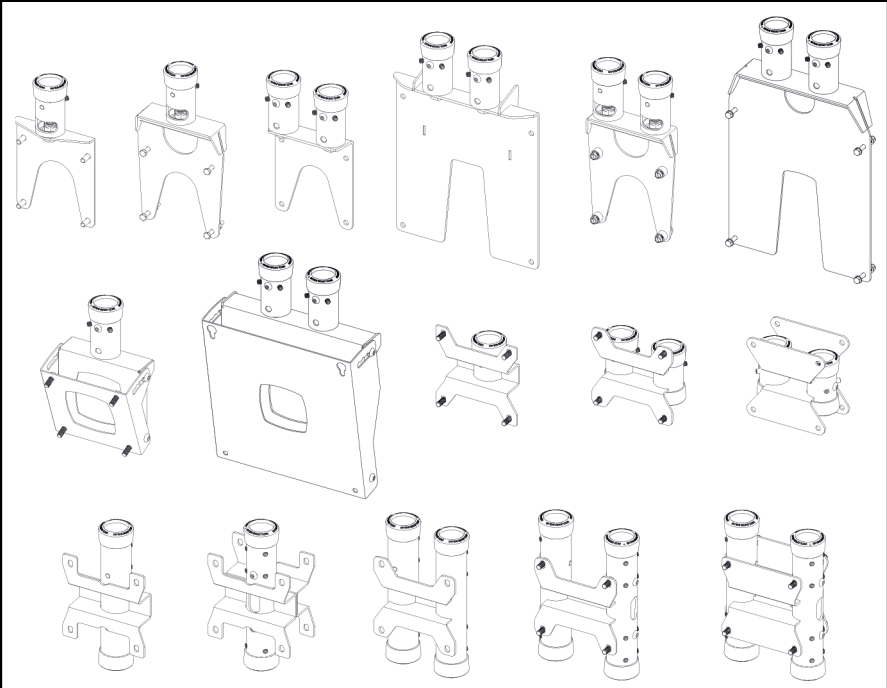




PS1 / PS5 / PS12 / PS123030 / PS4 / PS43030 / PS7 / PS9 / PS3U1 / PS3V1 / PS8 PS6U1 / PS6UT1 / PS6V1 / PS6A1 / PS8A1



Screen Size: n/a | Guide Max. Weight: variable

Please check model specific details before installing

Revised 18/03/25

WARNING

Please carefully inspect the product before assembling. If you notice any apparent damage, call your carrier claims agent and do not continue the installation until it has been reviewed. Please watch for pinch points. Do not put your fingers between moveable parts. Do not tamper with or disassemble any spring loaded parts. Before installing, make sure that the supporting surface will support five times the combined load of the solution and the hardware. Never exceed the maximum load capacity. Please also layout all components to ensure that you have all of the required parts before proceeding (see BOM list on following page). Use of this product for anything other than its specified use may result in failure or personal injury. This product is intended for indoor use only. We recommend using a qualified trades person for installation. Use an assistant or lifting equipment to lift and position products.

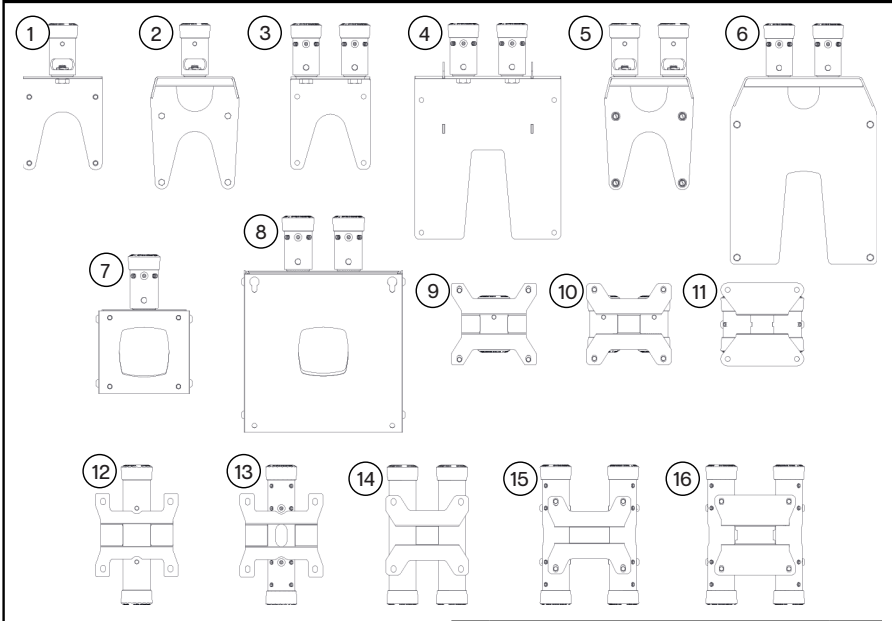
For support, please call: +44 (0)1865 767676 or email: sales@unicol.com



#	TOOLS REQUIRED
1	3/16" Allen Key
2	17mm Spanner

INSTALLERS REQUIRED
1

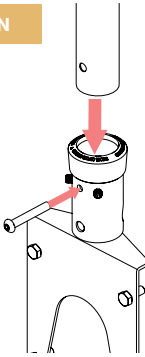
COMPONENTS



#	DESCRIPTION	QTY	#	DESCRIPTION	QTY
1	PS1 Single Column Suspension Adapter	1	11	PS8 Back-to-Back Twin Column Adapter	1
2	PS5 Back-to-Back Suspension Adapter	1	12	PS6U1 Floor-to-Ceiling Column Coupler	1
3	PS12 Twin Column Suspension Adapter	1	13	PS6UT1 Back-to-Back Column Coupler	1
4	PS123030 HD Twin Column Adapter	1	14	PS6V1 Twin Column Floor-to-Ceiling Coupler	1
5	PS4 Back-to-Back Twin Suspension Adapter	1	15	PS6A1 Twin Column Floor-to-Ceiling Coupler	1
6	PS43030 HD Back-to-Back Adapter	1	16	PS8A1 Twin Column Back-to-Back Coupler	1
7	PS7 Single Column Tilting Adapter	1	17	Column Length(s)	-
8	PS9 Twin Column Tilting Adapter	1	18	Universal Screen Mount (Inc. Arms)	-
9	PS3U1 Single Column Adapter	1	19	Dedicated Screen Mount (Inc. Arms)	-
10	PS3V1 Twin Column Adapter	1			



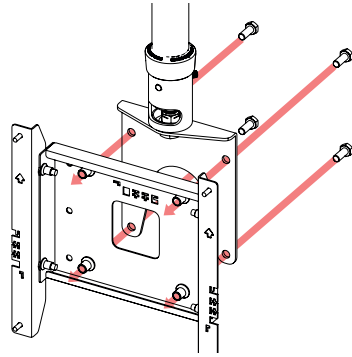
SUSPENSION



STEP 1 (PS1 / PS5 / PS12 / PS123030 / PS4 / PS43030)

Remove the through-bolt from the socket(s) and push your column length(s) - sold separately - into place. Ensure that the through-bolt hole in the column is aligned with the hole in the socket.

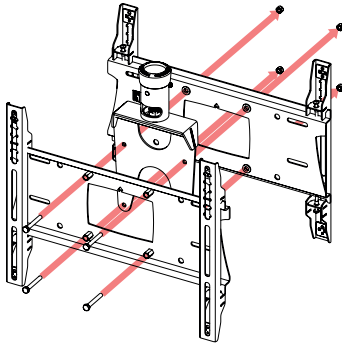
Replace the through-bolt and tighten the grub screws at the side of the socket.



STEP 2 (PS1 / PS12 / PS123030)

Line your PLX / PLW dedicated back plate up with the adapter plate, as shown above. Using the provided screws, secure into place from behind the adapter plate.

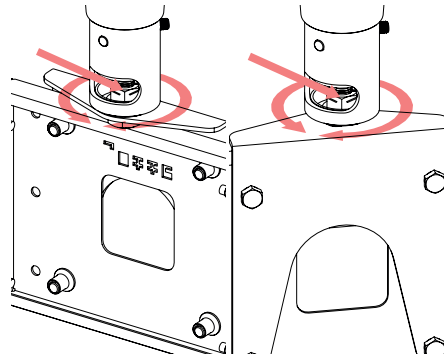
See page 8 for screen mounting instructions.



STEP 3 (PS5 / PS4 / PS43030)

Line your PZX / PZW / PLX / PLW back plate up with the adapter plate, as shown above. Using the provided screws, secure into place..

See page 7 for screen mounting instructions.

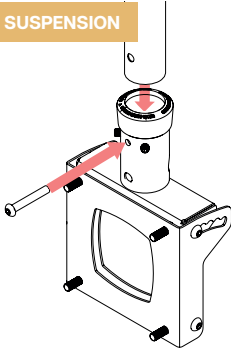


STEP 4 (PS1 / PS5)

For single column adapters (PS1 & PS5), you can adjust the angle by loosening the screw within the socket (shown above) and turn the adapter plate to the angle you need. Tighten the socket screw to set the angle and secure.



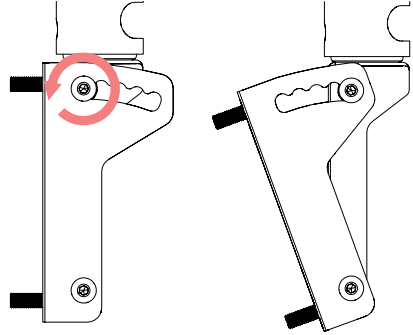
TILTING SUSPENSION



**STEP 1
 (PS7 / PS9)**

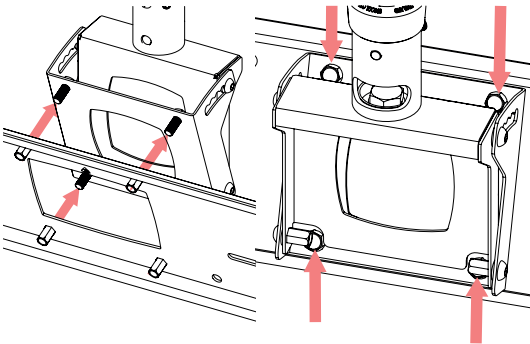
Remove the through-bolt from the socket(s) and push your column length(s) - sold separately - into place. Ensure that the through-bolt hole in the column is aligned with the hole in the socket.

Replace the through-bolt and tighten the grub screws at the side of the socket.



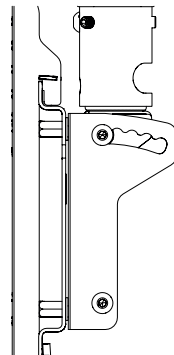
**STEP 2
 (PS7 / PS9)**

Loosen the upper two screws located on the side of the tilting adapter plate. Fully extend the adapter plate so that it is tilting fully and tighten the screws again.



**STEP 3
 (PS7 / PS9)**

Line the back plate up with the mount adapter, as shown above. Fix 4 screws from behind the mount adapter and into the 4 rivet nuts located on the back plate. Ensure back plate is secure and screws are tightened.

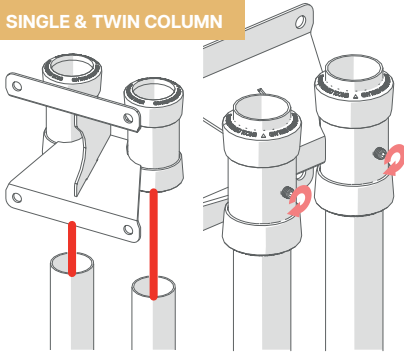


**STEP 4
 (PS7 / PS9)**

Loosen the two screws on the side of the adapter plate again. Close the adapter plate so that it sits flat before fitting the screen in place. Use the appropriate mount instructions to finish securing your screen. See page 7 for screen mounting instructions.

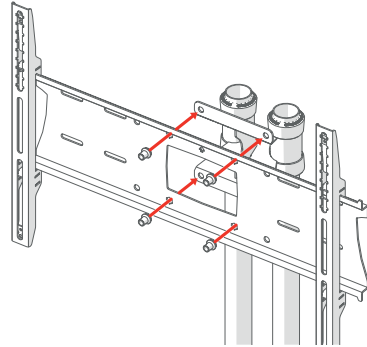


SINGLE & TWIN COLUMN



STEP 1 (PS3U1 / PS6UT1 / PS3V1 / PS8)

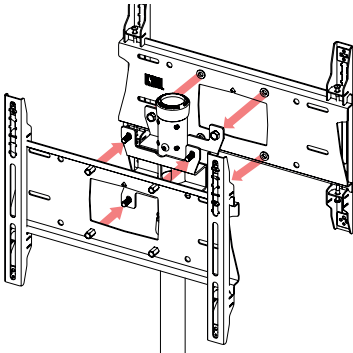
Place the column adapter over the top of the columns (ensuring the grub screws are on the same side as the rear of the base). Once positioned at the desired height, tighten the two grub screws to secure into place. Tighten up the base and accessory grub screws to secure.



STEP 2 (PS3U1 / PS3V1)

Line the back plate up with the mount adapter, as shown above. Fix 4 screws from behind the mount adapter and into the 4 rivet nuts located on the back plate. Ensure back plate is secure and screws are tightened.

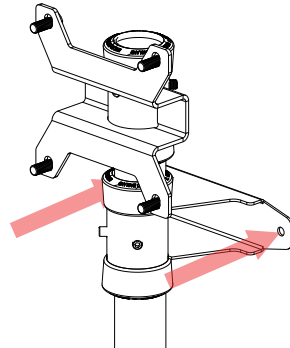
See page 7 for screen mounting instructions.



STEP 3 (PS6UT1 / PS8)

Line the back plates up with the mount adapter, as shown above. Using the provided screws, secure into place.

See page 7 for screen mounting instructions.

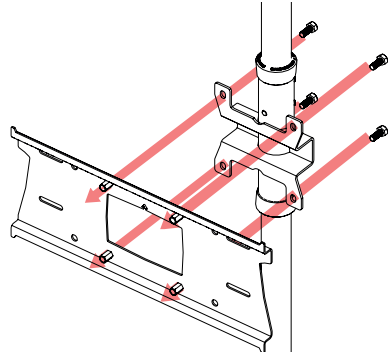
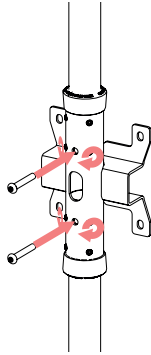
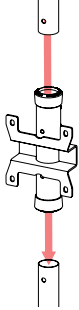


STEP 4 (PS3U1 / PS3V1)

Ensure columns are vertical and adjacent to the wall. Before you thread and secure your PS3U1 or PS3V1, thread a CTT150, CTT110 or CTS Wall Tie to the wall using appropriate anchors and fixings. (Fixings not supplied)..



COUPLERS



STEP 1 (PS6U1 / PS6UT1 / PS6V1 / PS6A1 / PS8A1)

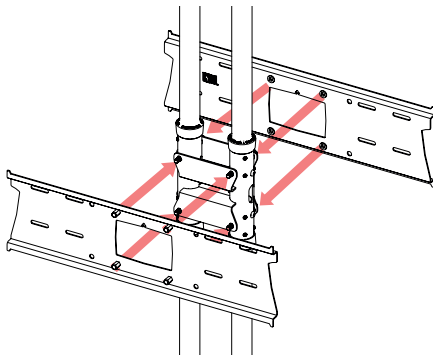
Remove the through-bolt from the socket(s) and push your column length(s) - sold separately - into place. Ensure that the through-bolt hole in the column is aligned with the hole in the socket.

Replace the through-bolt and tighten the grub screws at the side of the socket.

STEP 2 (PS6U1 / PS6V1 / PS6A1)

Line the back plate up with the coupler, as shown above. Fix 4 screws from behind the mount adapter and into the 4 rivet nuts located on the back plate. Ensure back plate is secure and screws are tightened.

See page 7 for screen mounting instructions.



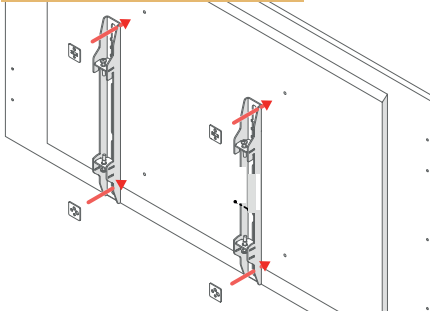
STEP 3 (PS6UT1 / PS8A1)

Line the back plates up with the mount adapter, as shown above. Using the provided screws, secure into place.

See page 7 for screen mounting instructions.



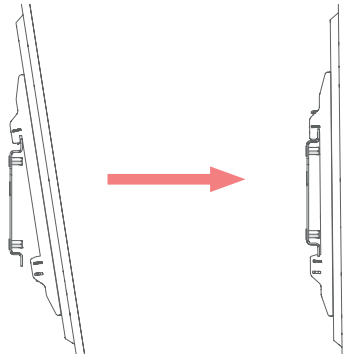
UNIVERSAL SCREEN FIXING



STEP 1

Utilising the tag locks and fixing pack provided with your mount, attach the arms to the back of your screen.

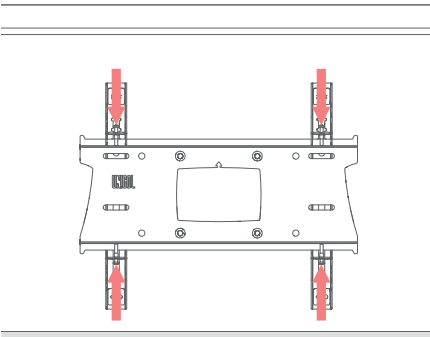
Ensure the arms are the correct way up before tightening - the 'hook' part of the arm should be at the top.



STEP 2

Using another team member, lift the screen up and gradually offer it up to the back plate. Gently tilting the screen forward, hook the arms over the lip of the back plate and lower once in position.

Centre the screen horizontally by sliding from side to side until you are happy with the position.



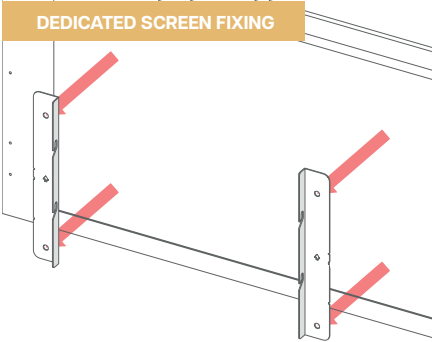
STEP 3

Once centered, ensure the bottom screws are not screwed tight and screw down the top screws to level the screen. Once level tighten bottom screws to secure the mount. ALT: If using tilting arms, this is when you can adjust them to suit.

Note that you won't be able to adjust the screens position after the screws have been tightened.



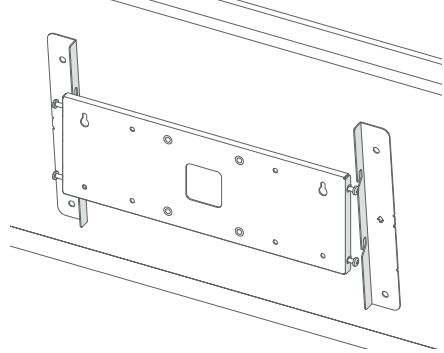
DEDICATED SCREEN FIXING



STEP 1

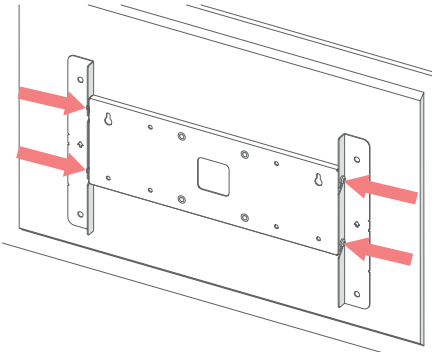
Utilising the fixing pack provided with your mount, attach the arms to the back of your screen.

Ensure the arms are the correct way up before tightening.



STEP 2

Using another team member, lift the screen up and gradually offer it up to the back plate. Gently tilt the screen forward and hook the arms over the screws that are protruding out from the sides of the back plate. Lower the screen until it is securely in place.



STEP 3

Once securely positioned, tighten the side screws to secure to the mount.

ALT: If using tilting arms, this is when you can adjust them to suit.