

UNICOL[®]

Edition 59



Mounting
Solutions

Supporting You

Welcome to the 2022 UNICOL Catalogue

Our comprehensive range of AV equipment mounts is available ex stock and offers unrivalled flexibility. Order either as standard assemblies or in component form to suit your own requirements. We also offer an efficient service in the manufacture of custom made items, from 'one-off' specials to large scale projects for corporate users. – Call us today or visit our website!



With 2022 upon us and a somewhat shaky start courtesy of our old 'friend' Covid and Co, perhaps at some point this year we can start to rediscover some of the things so easily taken for granted in the past, now wouldn't that be a novelty? In the same vein but somewhat less palatable is the fact that we have found ourselves in the unenviable position of having to increase our brochure prices. We have not increased our prices for over 10 years, right up to the end of 2021, but the harsh reality of everything from utilities, sheet steel, packaging, chrome plating, labour rates, logistics, you name it, we are paying more for it! So we have increased prices, but only where we have little choice.

What we will commit to is that these prices will again be held for as long as we possibly can, as we fully understand the true value of price stability, particularly when pricing for a long running contract. Some things that haven't changed is the Unicol commitment to providing best possible customer service and even with the price increases, cost effective solutions to satisfy all end user clients.

We continue to look at ways to reduce our impact upon the environment, even to the extent of removing the 'spot UV varnish' and matt lamination on this new brochure to make it completely recyclable. Our packaging and cartons have also been changed to make them as environmentally friendly as possible.

May 2022 be a positive year for all in the world of AV.



David Jopling
Managing Director

UNICOL products have been designed to meet BSI installation specification standard BS8590. All goods are sold subject to the Companies terms & conditions of sale, a copy of which is available upon request or can be downloaded from our website www.unicol.com. VAT will be charged at the prevailing rate at time of invoice. Mechanical items have a 10 year design & manufacturing warranty. Electrical parts are covered by a 12 month return to base warranty. UNICOL products are the subject of continuous development and we reserve the right to improve designs or change specifications without prior notice.

Products and prices listed in this catalogue are correct at time of going to press (Issue 59 - 2022). © Peter Ligertwood 2022.

UNICOL Engineering, Green Road, Oxford, OX3 8EU, England

Contents – Product Finder Pages



Editor's Choice

Special Projects

4 & 5



Screen Mount
Trade Packs

Slim Profile Mounts

24 & 25



VS1000
Stands, Trolleys
& Components

6 & 7



Wall Arms Panarm
Recess & Double

26 & 27



Axia
Stands & Trolleys

8 & 9



Outdoor Housings
& Covers

28 & 29



Avecta Stands
Parabella & Tevella

10 & 11



Indoor Kiosks
& Totems

30 & 31



Rhobus
Stands & Trolleys
Nesting Trolley

12 & 13



Video Wall Mounts
V-Wall Video Wall Stand
AV Roller Trak

32 & 33



Large Axia Titan
Stands & Trolleys
Motorised Stands

14 & 15



Screen Rail
Gantry Systems

34 & 35



AV Furniture
Huddle Tables
Education Lecterns

16 & 17



Floor to Wall & Ceiling
Cassette Mounts
PC Housings

36 & 37



AV Teaching Lecterns
Cabinets & Large
Screen Lecterns

18 & 19



PSU Projector Units
Guardbox
Security Cages

38 & 39



Dedicated Wall Mounts
Sound & Video Bars
Universal Wall Mounts

20 & 21



Gyrolock
Projector
Mounts

40 & 41



Installation
Components

22 & 23



Single Column Stands
& Trolleys

Parts & Accessories

42 & 43

EDITOR'S CHOICE FOR 2022



Rhobus Stand shown with twin 86" screens & soundbar vc mount

RHOBUS Twin Screen Unit RH200-HD

Heavy Duty Twin Screen unit with ample storage capacity and many VC accessories. For screens up to 86 inch, which can be fitted one at a time safely. Height to centre of screen 1800mm.

P12



Edgeline Kiosks & Totems

Enclosures for large format screens in free standing, floor-fixed and floor to ceiling versions. Custom options available including Custom colours and branding.

P31



VTS & HTS

Sliding Serviceable Cassette Mounts. Wall fixed with vertical, horizontal or folding slotted cassettes that can be populated with AV peripherals.

P37

How To Order

Order online, via email or call our technical sales team direct.

We are more than pleased to help regarding best choice of items to order or advise on any project being considered.

Tel: 01865 767676

Email: sales@unicol.com

Web: www.unicol.com

Most standard products are available on an ex stock basis. Please state screen or projector make / model & colour choice.

Symbols & other information



Typical single screen guide: Light or heavy monitors will influence this.



Maximum carrying capacity for which each product is designed.



Colours ex stock. (no cost where shown)
Sinterflex black – **standard** (except Trim Discs)
Sinterflex white (on selected products)
Diamond Silver (on selected products)

Please state colour choice when ordering
(Other colours charged at +18% plus powder purchase cost)

Prices shown are Ex Works, Ex VAT

UNICOL Special Projects Department
*Highlighting our in-house design & manufacturing capabilities,
 resolving every day customer requests.*

CORPORATE



Rota-Mount (P 20)



Sound Bar (P 20)



Horizontal Slide (P 37)



Under Desk Mount (P 37)

EVERYDAY



Protective Cover (P 29)



Compact Video Wall (P 32)



Edge Line Enclosure (P 31)



Vertical Slide (P 37)

EDUCATION



Floor to Wall Stand (P 12)



MS2 Hub Trolley (P 10)



Principal Desk (P 18)



Rhobus Huddle (P 16)

RETAIL



Ceiling Mounting (P 24)



Floor-to-Ceiling (P 36)



Rhobus Powa-Lift (P 15)



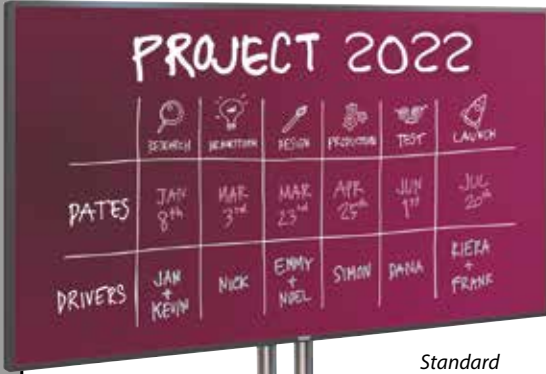
Totems (P 30)



"The Work Horse of the AV industry"

With a wide choice of interchangeable parts, easy assembly and sheer robustness VS1000 trolleys are the favoured choice of trade show, education, broadcast and AV users everywhere.

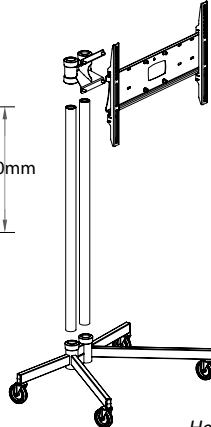
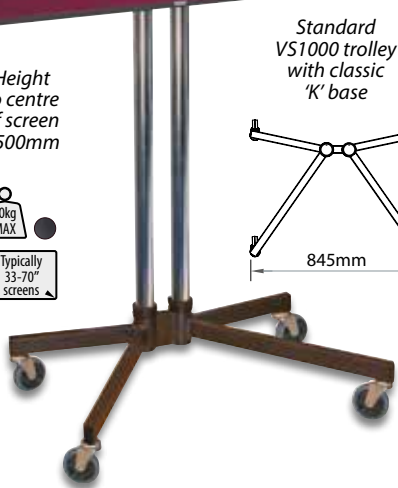
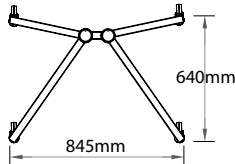
Available as static, wheeled base or back to back versions, with a wide choice of height options. Accessories include metal or glass shelves, locking cabinets and other options.



Height to centre of screen
1500mm



Standard VS1000 trolley with classic 'K' base



Heavy duty braked wheel options - see Page 43.

Standard 'K' base trolleys



Stand for single display on plinth base (shelf optional)



Scimitar base with optional locking cabinet

With VESA Screen Mount

Order Code **VS1000x2-VMSV** £ Ex Vat **292.35**
100 x 200 & 200 x 200 VESA - up to 32" / 35kg max

Order Code **VS1000x2-VMSV2** £ Ex Vat **303.05**
300 x 300 & 400 x 400 VESA - up to 40" / 40kg max

With Universal Screen Mount

Order Code **VS1000x2-PS2-PZX** £ Ex Vat **363.70**
For screens up to 70" - up to 60kg max

(State screen make & model)

VS1-1500x2-PS2-VP1-PZX £445.80

VSS-1500x2-PS2-VLC-PZX £540.25

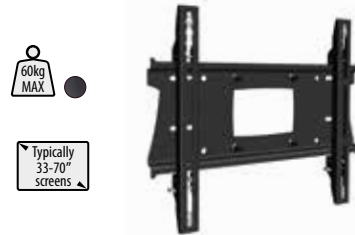
Build any configuration from



Mount Adapters

Converts Pozimount mounts (or Xactmatch mounts) to fit twin columns. Standard Allen screw fixing. Fully height adjustable.

Order Code £ Ex Vat
PS2 Standard single screen **59.75**
PS8 Back to back screens **85.00**



Pozimount Universal Flat Screen Mount

For screens 42" to 70" plus VESA fixings 200 x 200 to 400 x 400.

Order Code £ Ex Vat
PZX3 non-tilting **98.40**

Full Pozimount range on Page 21



Scimitar™ Bases

Elegant curved design. Trolley base has 10cm non marking rubber tyre wheels.

Stand version has 1.5cm plastic feet.

Order Code mm £ Ex Vat
VSS 870w x 600d **122.75**
VSR with BRAKED wheels **182.15**
VSX Stand version (without wheels) **103.20**

VSR base has higher spec BRAKED wheels - supports up to 105 Kg



Standard Plinth Base

Stylish plinth base has resilient non-marking feet. Has clearance for cables routed beneath.

Order Code mm £ Ex Vat
VSL 760w x 580d **128.65**



Original 'K' Base

Still preferred by many for its robust design. Has 10cm non-marking rubber tyre wheels.

Order Code mm £ Ex Vat
VSB 845w x 640d **108.05**
VBR with BRAKED wheels **167.45**

VBR base has higher spec BRAKED wheels - supports up to 105 Kg



Back-to-Back Base

With centralised column sockets for Back-to-Back screen use. Resilient non marking feet & clearance for cables routed beneath.

Order Code mm £ Ex Vat
VSLBB 700w x 700d **255.00**

Choose from the standard units listed or select & assemble any of the parts to suit your needs

VS1000 trolleys with Scimitar bases

The curved design of the Scimitar base units offers an attractive alternative to 'K' base versions.

Whichever style you choose all these trolley assemblies are available in both VESA or Universal screen mount versions.



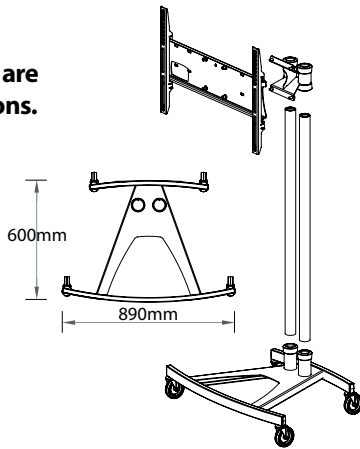
Single display on bolt down base

VSF-1500x2-PS2-PZX £348.85



Portrait back-to-back display on plinth base

VSLBB-1500x2-PS8-PPZX2 £634.30



Heavy duty braked wheel options - see Page 43.



Standard VS1000 trolley with Scimitar base

Height to centre of screen 1500mm



Standard Scimitar base trolleys

With VESA Screen Mount

Order Code **VSS-1500x2-VMSV** £ Ex Vat **307.05**
 100 x 200 & 200 x 200 VESA - up to 32" / 35kg max

Order Code **VSS-1500x2-VMSV2** £ Ex Vat **317.75**
 300 x 300 & 400 x 400 VESA - up to 40" / 40kg max

With Universal Screen Mount

Order Code **VSS-1500x2-PS2-PZX** £ Ex Vat **378.40**
 For screens up to 70" - up to 60kg max

(State screen make & model)

the components listed below



Column fitting VESA Mount

Fits direct to columns, covers many popular VESA screen mount sizes.

Order Code	VESA fixing mm	£ Ex Vat	Weight	Screen Size
VMSV	75 x 75, 100 x 100, 100 x 200 & 200 x 200	86.80	35kg MAX	Typically 15-32" screens
VMSV2	300 x 300, 400 x 200 & 400 x 400	97.50	40kg MAX	Typically 33-40" screens



Shelves

In metal or toughened glass.

Order Code	metal / mm	£ Ex Vat
VP1	500w x 400d	61.50
VP2	550w x 450d	69.50
VP3	300w x 300d	54.20

Order Code	glass / mm	£ Ex Vat
VGS	500w x 400d	78.80



Columns

Chrome plate finish (pair)

Order Code	Length mm	£ Ex Vat
1500X2	1500	97.50

Brushed Stainless Steel (each)

Order Code	Length mm	£ Ex Vat
1500SS	1500	124.30

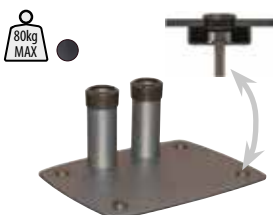
(Other column lengths listed on Page 22)



Locking Cabinet

For DVD players, PCs etc. Fully height adjustable. Rear panel has access for cables.

Order Code	Internal Dimensions mm	£ Ex Vat
VLC	550w x 150h x 400d	176.85



Distance from twin sockets to base rear edge - 25mm

Compact Bolt Down Base

Offers minimal base footprint for fixed screen stands. M10 floor bolts (not supplied) fully recess into base. Trim caps neatly complete installation.

Order Code	mm	£ Ex Vat
VSF	400w x 300d	93.20



Order Code	UK as illustrated	£ Ex Vat
ESU		34.50
ESE	Europlug	34.90

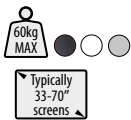
4-Way Power Sockets

These clip to the base of the VS1000, TC1000 and the Single Column Trolley range (Page 42). With 4m cable and 13A plug. European version also listed.



Height to centre of screen
1500mm

Standard Axia Hi-level stand shown in white



- * Graceful, stylish design
- * Neat cable management
- * Screen mount included
- * 4-way power socket
- * Safety glass shelves
- * Video Conference versions
- * Portrait screen options
- * Corporate colour options

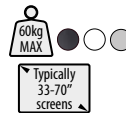


Hi-level Stand with AXLC Locking Cabinet



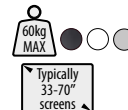
Standard Axia Lo-level stand

Height to centre of screen
1200mm



Hi-level Plinth Cabinet

Height to centre of screen
1650mm



Hi-Level Stands

With our PZX universal screen mount. Stylish plinth base has resilient non-marking feet. 4-way power socket neatly locates behind screen.

Select toughened glass or metal shelves as required.

Standard Hi-Level Stand

Order Code *£ Ex Vat*
AX15P for screens up to 70" **575.60**

Lo-Level Stands

The quality option for corporate lounges or hospitality seating areas.

With our PZX universal screen mount. Plinth base has resilient non-marking feet. 4-way power socket neatly locates behind screen.

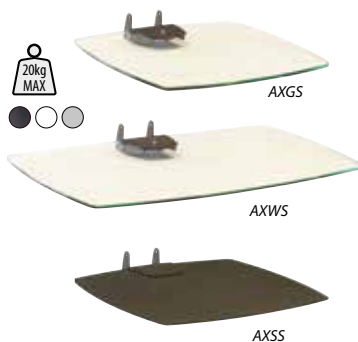
Standard Lo-Level Stand

Order Code *£ Ex Vat*
AX12P for screens up to 70" **515.70**

Plinth Cabinet Stand

Popular for showroom or exhibition use. Lockable base for PCs, DVDs etc has resilient non-marking feet.

Order Code *£ Ex Vat*
AX16P Cabinet Base version **780.10**
Cabinet internal dims 480(w) x 400(d) x 160(h)mm



Shelves

Edge polished toughened glass or metal versions available.

Lugs fit through mast slots & screw securely into position.

Order Code *glass / mm* *£ Ex Vat*
AXGS 500w x 400d **78.80**
AXWS 780w x 390d **89.20**

Order Code *metal / mm* *£ Ex Vat*
AXSS 500w x 400d **69.50**

Axia Locking Cabinet

For DVD players, PCs etc.

Lockable drop down door.

Rear panel has access for mains and other cables.

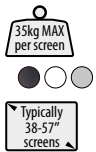


Order Code *Internal Dimensions mm* *£ Ex Vat*
AXLC Size 550w x 150h x 400d **188.60**

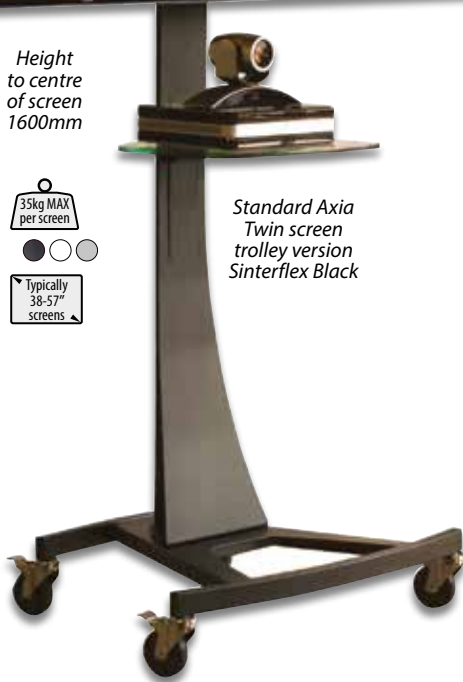




Height to centre of screen 1600mm

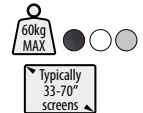


Standard Axia Twin screen trolley version Sinterflex Black



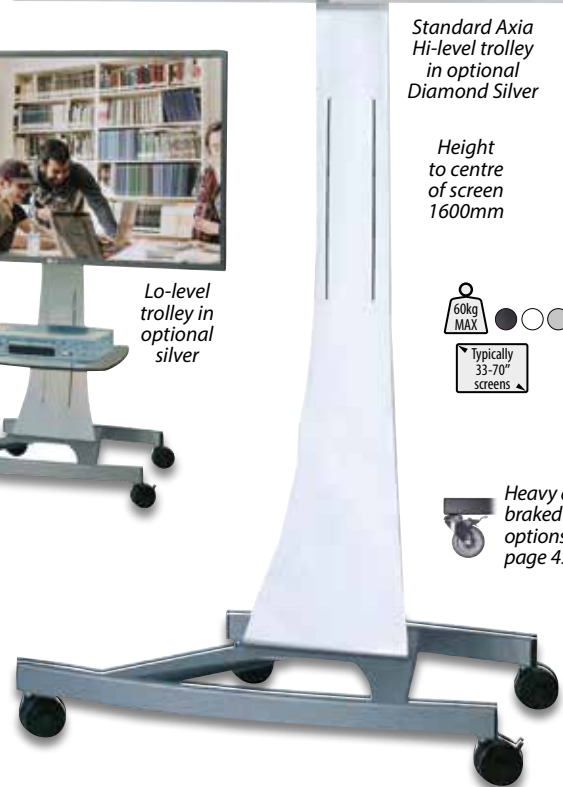
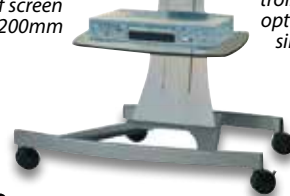
Standard Axia Hi-level trolley in optional Diamond Silver

Height to centre of screen 1600mm



Height to centre of screen 1200mm

Lo-level trolley in optional silver



Heavy duty braked wheel options – see page 43.

Axia Twin Screen and Video Conference Stands & Trolleys

These internally strengthened units for twin screen use cover a wide range of screen sizes. Easy to set up, using our PZX universal screen mounts. Toughened glass shelf is included.

Order Code Stand Versions £ Ex Vat
AXC15P51 screens 38" - 57" **910.30**

Order Code Trolley Versions £ Ex Vat
AXC15T51 screens 38" - 57" **1080.50**

State make & model of screens when ordering
Above screen video conference mounts and larger screen versions also available.

– Call us for any advice or assistance required

Lo-Level Trolleys

Includes PZX universal screen mount, 7.5cm twin wheel castors. 4-way power socket neatly locates behind screen.

Standard Lo-Level Trolley

Order Code £ Ex Vat
AX12T for screens up to 70" **554.60**

Hi-Level Trolleys

Uses PZX universal screen mount and base with 7.5cm twin wheel castors. 4-way power socket neatly locates behind screen. Select toughened glass or metal shelves as required.

Standard Hi-Level Trolley

Order Code £ Ex Vat
AX15T for screens up to 70" **615.20**

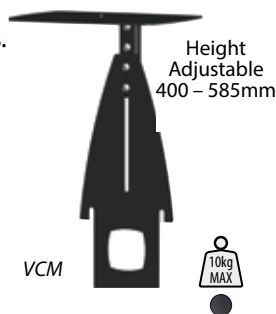
Video Conference Mount

For most makes/models of cameras. Fits either above or below screen.

Telescopic adjustment enables camera platform to be positioned at optimum height.

Dedicated mounts for specific makes/models of cameras also available – Call us for details.

Order Code mm £ Ex Vat
VCM shelf size 340w x 260d **87.90**



Axias in Colour!

With their graceful flowing curves Axia stands & trolleys already look good in their standard finishes.

Adding a corporate or individually chosen colour can dramatically enhance the effect, harmonise with interior schemes or even the screen itself.

– Call us for further details



Avecta Stands & Trolleys



From boardroom to show venue – a flexible and adaptable stand system with excellent cable management. Static or wheeled versions, single or dual screen options.



Bolt-Down
Floor to wall also available.

Avecta AVHP with optional 2 x AVGS glass shelves

Hi-Level Stand & Trolley

Height to centre of screen adjustable from 1100mm to 1500mm complete with PZX universal screen mount, 4-way power socket and all metal shelf.

Order Code		£ Ex Vat
AVHP	Stand with universal mount	651.05
AVHT	Trolley with universal mount	691.20
AVHTR1	With RTM10 Rotamount complete	769.30
AVHTSURH	Trolley for MS Hub 2 with shelf	769.30
AVHB	Stand with bolt down base & shelf	615.60



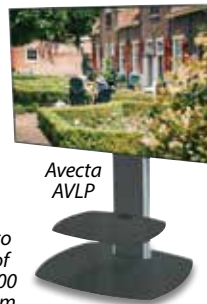
AVHTSURH with MS Hub 2 shown tilted & shelf folded

Height to centre of screen 1250 to 1520mm

Lo-Level Stand

Height to centre of screen fully adjustable. Comes with PZX universal screen mount, 4-way power socket and all metal shelf.

Order Code	£ Ex Vat	Height to centre of screen
AVLP	525.50	600 to 950mm



Avecta AVLP

Heavy Duty Trolley

For large screens up to 110" – this trolley comes with an integral universal mount.

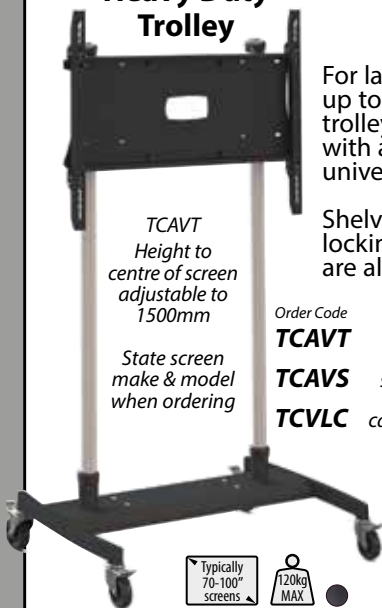
Shelves and locking cabinet are also available.

TCAVT
Height to centre of screen adjustable to 1500mm

State screen make & model when ordering

Order Code	£ Ex Vat
TCAVT	698.20
TCAVS shelf	91.40
TCVLC cabinet	177.40

Single box Solution



Video conference & twin screen units

Different screen sizes can be accommodated using one of 3 central cross member types which carry our standard Pozimount universal mounts.

Comes with metal shelf. Order video conference camera mount, or glass shelf as required.

Order Code	£ Ex Vat
ACHT Hi-level Trolley	1057.30
ACHP Hi-level Stand	1017.10

State screen make & model when ordering



VCM Video Conference Mount also available – (See Page 21)

Avecta ACHT with AVP1 metal shelf and optional VCM video conference mount

Avecta Accessories

Equipment Shelves

The shelves are fitted in between the mast sections so adjustment is 15 or 30cm with access to cables routed in the mast. Edge polished toughened glass & metal versions are available.

A fold down metal version is also available fitted to front or rear.



Order Code	Type	mm	£ Ex Vat
AVGS	Glass	500w x 400d	93.80

Order Code	Type	mm	£ Ex Vat
AVP1	Metal	500w x 400d	46.05
AVP2	Metal	550w x 450d	54.20
AVP3	Metal	300w x 300d	34.40

AVP4 metal fold down shelf. Ideal when using Lap Tops and other peripherals. Shelf folds flat to enable trolley to be neatly placed against a wall when not in use.

Order Code	Type	mm	£ Ex Vat
AVP4	Folding	440w x 350d	97.60

Popular & Specialist Stands



Parabella®

The recommended stand unit for exhibitions & conferences.

- * Curved slim design
- * For screens 40 - 80 inch
- * Neat cable management
- * 1.8m viewing height
- * Standard & Large available

Standard Parabella

Comes with PZW1 universal mount & converter.

Order Code £ Ex Vat
PA2 for screens 40" - 70" **577.60**

Heavy Duty Parabella

Comes with PZX9 universal mount, larger base & converter.

Order Code £ Ex Vat
PA9 for screens 71" - 80" **1043.90**

Typically 40-80" screens

80kg MAX



Note: Parabella is not suitable for touch screen use.

Parabella Accessories

Glass Shelf



Toughened glass fully edge polished.

Order Code £ Ex Vat
PARAG2S size 500w x 400d **82.90**

20kg MAX



Base & Converter – screens up to 80"

Order Code mm £ Ex Vat
PARAB2 large size 1210w x 700d **370.00**
CTPA3 mount converter **110.10**

Power Sockets

In special housing to fit Parabella stand with 4.5m cord.

Order Code £ Ex Vat
PARAES4B UK 4-way socket **46.80**

State screen make & model when ordering



TVT1

TEVELLA™ series

Tevella TV Stand

- * Cables routed through base & column
- * Bolt down version also available
- * Stand height to centre of screen 100cm
- * Trolley height to centre of screen 140cm

Order Code £ Ex Vat
TVV1 Upright - 15-32" screens **160.80**
TVL1 Lectern Version - 15-32" screens **220.80**
TVT1 Trolley Version - 15-40" screens **234.45**

Order Code £ Ex Vat
TVB1 Bolt Down Version - 15-40" screens **204.40**

Typically 15-40" screens



TVL1

TVV1

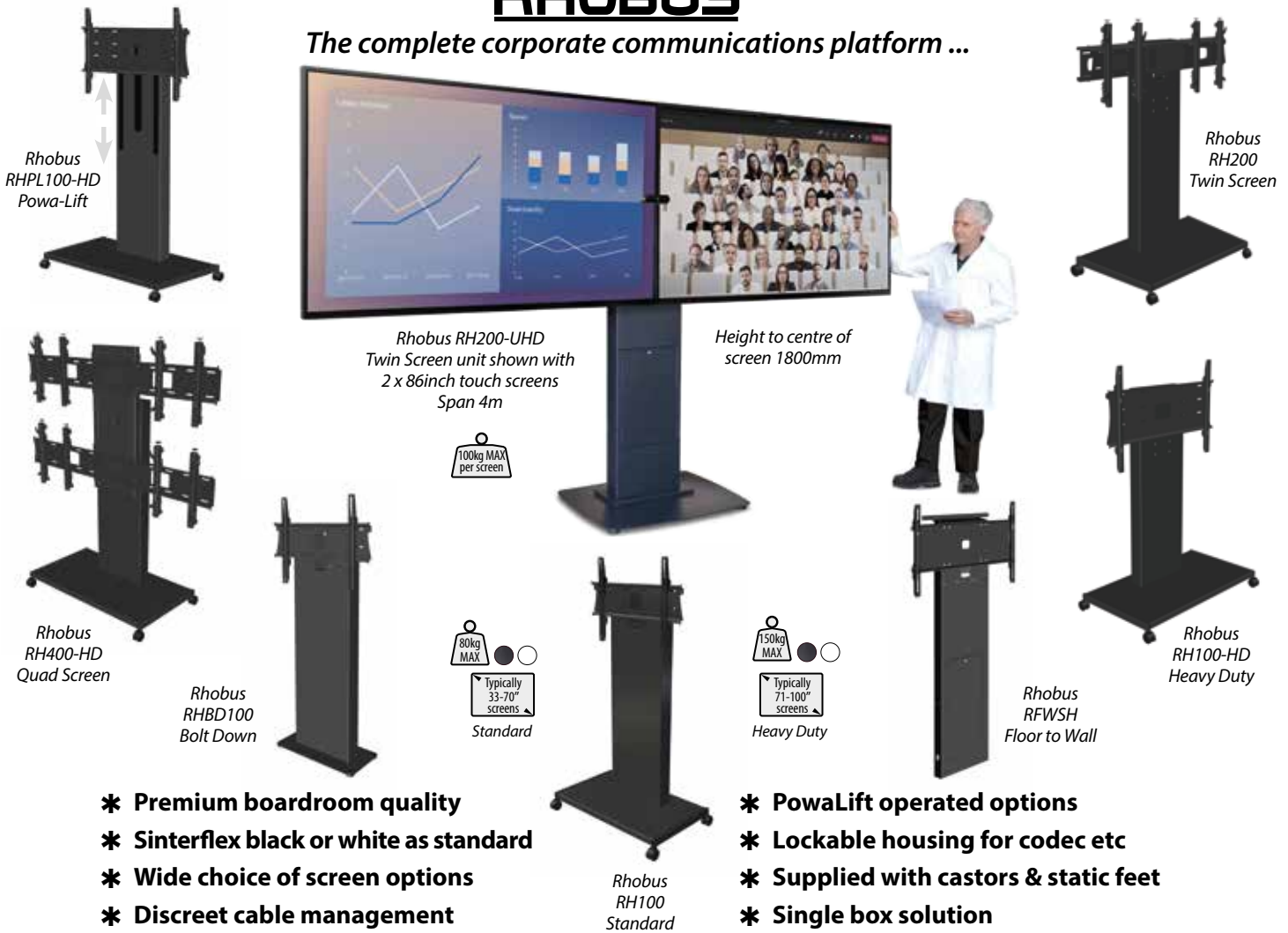
Typically 15-32" screens

15kg MAX

RHOBUS Video Conference & Presentation Range

RHOBUS®

The complete corporate communications platform ...



- * Premium boardroom quality
- * Sinterflex black or white as standard
- * Wide choice of screen options
- * Discreet cable management

- * PowaLift operated options
- * Lockable housing for codec etc
- * Supplied with castors & static feet
- * Single box solution

With its clean lines and superior finish options the Rhobus range of stands and trolleys answers all the needs of the corporate user – from boardroom to prestige exhibitor.

Choose from the elegant single screen version through to multi-screen units to support the very latest and best in corporate communications. Ample capacity is provided within the central mast for cabling, codecs and other systems, all accessible through a locking door. Built in power socket comes as standard.

Rhobus Models		
Order Code	Description	Price Ex VAT
RH100	Standard – Single Screen (33" - 70")	1265.20
RHBD100	Bolt Down – Single Screen (33" - 70")	1096.50
RH200	Standard – Twin Screen (33" - 70")	1562.80
RFWSH	Floor to Wall (33" - 70")	1083.20
RH100-HD	Heavy Duty – Single Screen (71" - 100")	1415.40
RH200-HD	Heavy Duty – Twin Screen (71" - 86" - 2x50kg)	2156.70
RH200-UHD	Ultra Heavy Duty version (71" - 100" - 2x100kg)	POA
RFWSH-HD	Heavy Duty Floor to Wall (71" - 100")	1157.30
RHPL100-HD	Heavy Duty PowaLift (71" - 100")	2170.80
RH400-HD	2 x 2 Screen (4 x 33" - 57")	2040.50
Bases		
Order Code	Description	Price Ex VAT
RHB1	Standard Base – 900(w) x 500(d)	255.60
RHB2	Heavy Duty Base – 1200(w) x 660(d)	370.40
RHUBD	Bolt Down / Floor to Wall – 650(w) x 310(d)	200.10
NSTB1	Nest-Star Trolley Base – 1115(w) x 770(d)	360.60

Rhobus Accessories		
Order Code	Description	Price Ex VAT
RHGS1	Glass Shelf – 500(w) x 400(d)	78.80
RHGS2	Glass Shelf – 780(w) x 390(d)	89.20
RHCB1	Blade style Camera Mount	85.50
RHCC	Blade mount conversion shelf	35.20
RHH1P	Manoeuvring handles	158.50
VCM	Standard Camera Mount	87.90
RFWSWT	Wall Tie (attaches mast to wall)	73.65
Masts		
Order Code	Description	Price Ex VAT
RHMU1	Standard Rhobus & Nest-Star Mast	915.70
RHMU2	Rhobus PowaLift Mast	1670.50
RHMU3	Rhobus Floor to Wall Mast	1030.60
RHDM1	Rhobus Twin Heavy Duty Mast	992.40
Please call us for custom Taller Masts		



Rhobus RH200 Trolley in non-standard RAL 7035 light grey with twin screens, blade camera mount & centre infill panel

Height to centre of screen 1400mm

35kg MAX per screen

Typically 33-70" screens



Fully adjustable screen arms RHPZX1VW, RHPZX3VW & RHPZX5VW are used on twin screen units

An abundance of practical features



Foot Castor

Easy swap from twin wheel castors to static feet to suit your needs



Easy access to mast housing – dims 440(w) x 470(h) x 80(d) via lockable pull down door

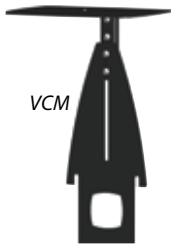


Rhobus RFWSHHD Floor to Wall stand with front panel lockable access door & a power socket in either side, in Sinterflex black

Camera mounts available in two versions: (See P21)

- * VCM standard mount fits above or below screen
- * Vertical blade type allows camera to be positioned between screens.

RHOBUS Accessories



VCM

Camera Mount



RHGS2 wide toughened glass shelf

20kg MAX

Glass Shelf



RHCB1 Blade style camera mount



RHCC Blade mount conversion shelf

* Our RHCC conversion shelf is also available in versions dedicated to specific cameras. Above screen camera mounts also available.

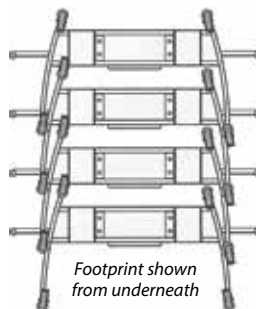
NEST-STAR[®] Nesting Trolleys

A complete teaching assistant on wheels that can be deployed quickly and neatly stowed when not in use.

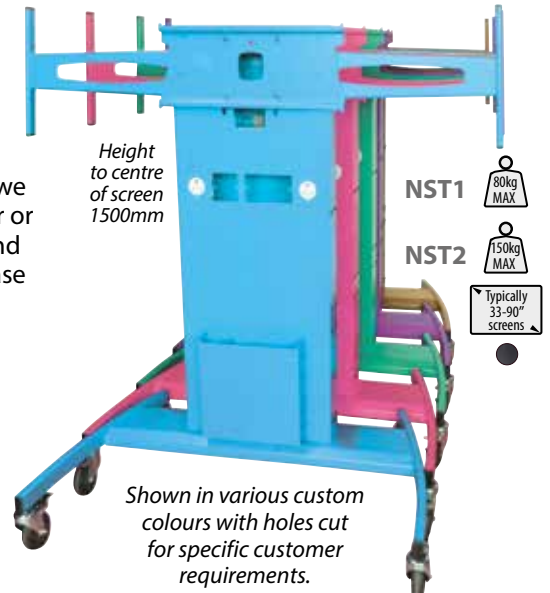
This robust trolley supports your displays and securely houses your favourite PCs and controllers. The standard trolley comes with a plain mast. However, we understand that choice of equipment is important and will customise the rear or front of the mast section with a 300 x 300 x 100mm cable/keypad pocket and standard double gang wall plate & cable assembly at an additional cost. (Please call us for a quote). Handles are provided for ease of movement as standard.

These trolleys can quickly turn an empty space into an effective student e-learning environment. Whilst Sinterflex Black is the standard colour, other bright & bold finishes are available.

- * Robust modular construction
- * Easy to assemble and install
- * Quick and easy deployment
- * Customisation available
- * Secure storage for players / PCs
- * Standard black with colour options
- * Fast turnaround delivery 5 - 7 days



Footprint shown from underneath



Height to centre of screen 1500mm

NST1

80kg MAX

NST2

150kg MAX

Typically 33-90" screens



Shown in various custom colours with holes cut for specific customer requirements.

* Please Note: Standard trolley comes in Sinterflex Black with plain mast. The rear / front of the mast can be customised with a cable/keypad pocket and double gang wall plate & cable assembly.

Order Code

NST1 For up to 70" screens (Trolley only - no electronics)

NST2 For up to 90" screens (Trolley only - no electronics)

Price Ex VAT

1510.20

1585.70

When ordering please state make & model of screen, custom option requirement and colour choice. For small dedicated batches we charge +18% plus the cost to purchase the powder.

Axia Titan

Designed for large format or multi-screen applications, these trolleys incorporate heavier mast sections and increased base footprint to accommodate large screen sizes and heavier loads. Axia Titan trolleys come in 4 versions:

- * Fixed Height
- * Manual Easy Lift
- * Bolt Down versions
- * PowaLift with Remote

Safety Note: Safety must always be the first priority when handling large / heavy screens, which should be installed by qualified personnel using appropriate lifting equipment. Manoeuvre and position trolleys only on flat and even surfaces. Large screens may need removing when manoeuvring trolley under standard door heights.

Manual Easy Lift

Smooth 'ratchet action' for easy lifting. Practical, reliable and immune from show venue power outages!



Manual Easy Lift Trolley For Screens up to 100"

Order Code **AXW20** 1.5m to 2.5m centre of screen £ Ex Vat **3328.30**

PowaLift Electronic

Axia Titan PowaLift Versions. – Smooth powered vertical travel for screens up to 100"

These trolleys incorporate a powerful linear drive system within the heavy duty mast. Supplied with hand held remote and manual switch option as standard.

Order Code **AXL15T2J** for screens up to 100" £ Ex Vat **2080.40**

CE approved & DDA compliant

Typically 70-100" screens

200kg MAX



Typically 70-100" screens

200kg MAX

Fixed Height 2m Trolley Version

Fixed Height

For Screens up to 100"

Order Code **AX15T2J** 1.5m to centre of screen £ Ex Vat **1145.50**
AX20T2J 2m to centre of screen £ Ex Vat **1668.10**

For multiple 2 x 2 (4) Screens Up to 55" & 35kg max per screen

Order Code **AXM20T31** 2m to centre of screen £ Ex Vat **2240.20**

State make & model of screen



Shown on standard base with optional static feet – supporting 4 x 55" screens

Smooth Powered Operation

35kg MAX per screen



Prices quoted are ex-works as the Easy Lift is despatched by dedicated courier.

Manual Easy Lift

Bolt Down versions available

Typically 70-100" screens

120kg MAX



Motorised Stands, Trolleys

PowaLift™

Electronic control & PowaLift technology combine in these versatile units.

- * Safe, smooth operation
- * Well proven technology
- * Quality, long life components
- * For screens 33 to 100 inch
- * Controllable by remote fob or manual switch – all supplied with unit

Operated by wireless remote or manual switch, screens can be commanded to rise or descend smoothly through 700mm, stopping safely at any point.

These units serve many requirements, particularly in the field of education, enabling young children or wheel chair users to interact with touch screens. 'Touch of a button' height control also makes it easy to move from one location to another through doorways.

Screen mount, hand held remote with manual switch and 4-way power socket supplied as standard.



Smooth Powered Operation



AVMT71

Trolley Version

Order Code **AVMT71** 33" to 70" £ Ex Vat **1350.30**

State make & model of screen (For europlug versions add E at the end of each order code)



There is a range of PC housings to fit these units Call for details

Rear of unit shown with 4-way power socket and antenna.



Laptop Arm fully extends & articulates

Laptop platform

Order Code **AVML7** £ Ex Vat **173.50**



CE approved & DDA compliant

AVMW71

Floor to Wall Version

Using the same proven mast technology as our trolley version these units allow fixed installation with the benefit of compactness and slim profile.

Order Code **AVMW71** Standard 33" to 70" £ Ex Vat **1060.50**



Order Code **AVMW91** Heavy Duty 71" to 100" £ Ex Vat **1195.80**



State make & model of screen



RHOBUS PowaLift

Rhobus RHPL100HD Trolley with 'Touch of a button' PowaLift technology to raise and lower screens smoothly through 700mm.

For larger screens the Rhobus PowaLift version has all the functionality of the original - above.

- * For screens 71 to 100 inch
- * Safe, smooth operation
- * Quality, long life components
- * Bolt down & Floor to Wall versions available
- * Controlled by remote fob or manual switch – all supplied with unit



Smooth Powered Operation



Order Code **RHPL100HD** HD PowaLift (71" - 100") £ Ex Vat **2170.80**



There are two Rhobus table versions, Huddle and Stand-to-Meet. The Huddle can be powered up and down to adjust table height. Both have ample capacity & connectivity for cabling, codec and integration with other systems, all accessible through a cable well and locking door. Built in 4-way power socket comes as standard.

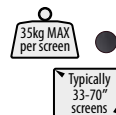
Video conference camera mounts are available for all the leading manufacturers of VC equipment. Table tops can be customised in different shapes with cut-outs for all the leading brands of connectivity devices. They can also be branded with different colours and logos.

Rhobus Huddle

Order Code
RHO1
RHO2

Single Screen version
Twin Screen version

£ Ex Vat
4508.18
4878.00



RHOBUS
Stand-to-Meet

- * Full unified connectivity
- * Underside rack options
- * Built in hearing induction loop
- * Motorised height adjustable top
- * Branding, logos & special finishes
- * Accommodates wide choice of devices
- * Lockable equipment housing
- * Fast turnaround

*Prices quoted are ex-works.
Furniture is despatched via
dedicated courier or
may be collected*



Rhobus Stand-to-Meet

Order Code		£ Ex Vat
RS01	Twin screen stand to meet unit	3978.30
RSU01	Underside custom controller /switcher unit	728.10
RSU02	Large front mast for cable cubby with retractors	125.50

(This stand has a fixed table top height)



Canterbury™

Free Standing Lectern

- * Premium lecture room quality
- * Customised control housing options
- * Secure front & rear installation access
- * Lockable, with key alike options
- * Concealed castors plus levelling feet
- * High quality monitor arm included
- * Sinterflex Black & other colours available
- * 19inch, 16U rack supplied as standard
- * Quality wood finish 36mm work surface
- * All to BS8590 AV Code of Practice guidelines
- * Fast turnaround

Versatile lectern provides secure storage for media electronics with 19" 16U rack mounting as standard. Stylish oval cabinet has concealed castors with jacking feet for extra stability on uneven surfaces. The range of durable desk tops are available in a choice of sizes and incorporate a control panel housing for standard & custom apertures together with power outlets.

High quality monitor arm is fully adjustable, desk top has generous room for keyboard and visualiser (if required). All are available in 1000, 1250 & 1500mm widths, 750mm deep with a choice of wood effect finishes. In addition to the standard units offered we are able to customise for a wide range of requirements plus colour options and branding. This premium self contained lectern is complimentary to any modern lecture theatre.

Desk Top and Cabinet Choices:



Oak



Beech

*Prices quoted are ex-works.
Furniture is despatched via
dedicated courier or
may be collected*

Desk Tops

(36mm thick)



Grey



Black



White

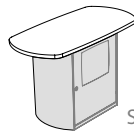
Cabinets



Black



White



Silver

How to Order

Choose from the three models listed below and select any of the desk top & cabinet finishes listed. Please include preference for monitor arm left or right and control panel housing requirements.

Order Code		£ Ex Vat
UFCL10	Canterbury Lectern	£2240.60
	<i>Top - 1000x750x36mm - with Monitor Arm & Control Housing</i>	
UFCL12	Canterbury Lectern Plus	£2320.30
	<i>Top - 1250x750x36mm - with Monitor Arm & Control Housing</i>	
UFCL15	Canterbury Lectern Pro Plus	£2450.10
	<i>Top - 1500x750x36mm - with Monitor Arm & Control Housing</i>	

Presentor™

Wall Mounted Control Desk

Ideal for small lecture theatres or anywhere where space is limited. Folding work surface is ideal for laptop, notes etc. Unit is designed to be functional yet compact, with many control panel options.

Lockable cabinet (with key alike options) is provided for a PC with access to PC ports and power through the side of the unit. A 3U rack strip is also built in. Options include standard UK two gang aperture, plus any other control panel features required.

How to Order

Decide control panel preferences and PC or other items to be housed. Our technical team will be pleased to advise regarding options available. In addition to colour choice offered, alternative finishes can be quoted for.

*Prices quoted are ex-works.
Furniture is despatched via
dedicated courier or
may be collected*



Order Code **UFPL08** mm **800(w) x 796(h) x 605(d)** £ Ex Vat **1130.80**

Work Surface 

Cabinets  white  black

AV Furniture - Teaching Aid Desks



The Principal™ Lecturer's Desk

Provides lecturers with a central desk facility to control AV lecture content, screen or projector video sources, audio, lighting levels and more. Cabinets have 19" removable 6U racks. The desk, with control housing and screen mount, powers up and down for standing or seated operation using the manual switch or remote fob supplied.

- * 19" removable 12U racks allows pre-installation option
- * Full cable management allows for bulky connectors
- * Motorised Desk Top in a range of widths & finishes
- * Screen mount has left/right or multi-screen options
- * Control Housing has standard & custom apertures
- * Quick release doors for ease of installation
- * Generous desk top space for visualiser if required
- * Castor mobile for access through standard doorways
- * Optional custom logos plus illuminated versions
- * Fast turnaround

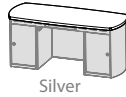
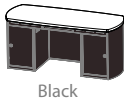
Shown with desk top raised, fully equipped control panel with phone, monitor, microphone, visualiser, keyboard and custom illuminated logo



Smooth Powered Operation

Desk Top and Cabinet Choices:

Cabinets



Desk Tops (36mm thick)



How to Order

Choose from the three models listed below and select any of the desk top & cabinet finishes listed. Please include preference for monitor arm left or right and control panel housing requirements.

Order Code	mm	£ Ex Vat
UFPD15	1550(w) x 778(h) x 700(d)	6103.33
UFPD18	1850(w) x 778(h) x 700(d)	6325.00
UFPD24	2400(w) x 778(h) x 700(d)	6737.50

The Mentor™ Lecturer's Desk

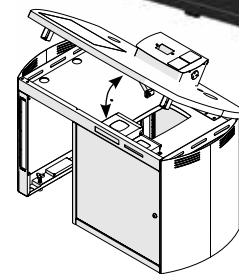
With the ability to change lighting, content, audio and video sources from one place, the Mentor allows users to take control in any lecture theatre from one desk facility.

How to Order

Select any of the desk top & cabinet finishes listed above. Please include preference for monitor arm left or right and control panel housing requirements.

Order Code	mm	£ Ex Vat
UFMD13	1300(w) x 778(h) x 700(d)	4674.97

- * Hinged desktop gives easy access to AV equipment beneath
- * 19" removable 12U racks with additional 1U vertical rack featured in desk leg
- * Full cable management
- * Lockable, with key alike options
- * Concealed castors plus levelling feet
- * Neat quick release door mechanism
- * Desk top control housing options
- * Range of desktop and cabinet finishes
- * Custom illuminated branding options



Prices quoted are ex-works. Desks shipped via dedicated courier or may be collected

Table Stands for screens 40 – 100 inches

Our table stands are available in Universal & Dedicated mount versions: Standard and large VESA sizes are covered by our Universal range. Dedicated stands are available if you have a screen not covered by our Universal model range and these are manufactured to suit your screen.

Order Code	mm	£ Ex Vat
PFT3	Universal 32" to 57" – 200 x 200 to 400 x 400 VESA	169.60
PFT1	Universal 40" to 57" – 200 x 200 to 600 x 400 VESA	169.60
PFT21	Universal 58" to 70" – 200 x 200 to 600 x 400 VESA	169.60
PFT9	Universal 71" to 100" – 600 x 1000 VESA	289.35

State screen make & model when ordering



Illustration shows 70 inch screen version from our dedicated model range

Typically 32-110" screens



All versions have resilient non marking feet

Media Screen Units, Cabinets & Tilting Lecterns

19" Rack Cabinet & Screen Units

This versatile range provides secure storage for media electronics. 19" rack mounting as standard, shelves optional. Select mast & screen mount units from the listings below.



AVR5 - M1X1
Media Screen Unit



AVR5
Standard cabinet
500w x 700h x 500d

Typically
33-57"
screens

40kg
MAX



AVRHD3
Dual heavy duty
display, triple cabinet credenza.
Columns, screen mounts & 3 x 12u racks included



AVRT5 Standard twin cabinet
1015w x 700h x 500d

Order Code	Single Cabinet	£ Ex Vat
AVR5	Standard rack mount depth 442mm	449.20
AVR7	Extended rack mount depth 642mm	468.50
AVR9	Oval style cabinet (dims as standard)	496.50
M1X1	Mast assembly inc single screen mount	304.55

Order Code	Twin Cabinet	£ Ex Vat
AVRT5	Standard rack mount depth 442mm	946.30
AVRT7	Extended rack mount depth 642mm	984.90
M2X1	Mast assembly inc twin screen mount	647.20

Order Code	Triple Cabinet Credenza	£ Ex Vat
AVRHD3	inc. columns, mounts & 3x12u racks	4085.20

* Special Non-standard Versions of these cabinets, screen mounts and accessories are also manufactured – Call us for details.

Prices quoted are ex-works as this unit is despatched by dedicated courier or collected

Universal Shelves

Fit all cabinet versions and locate into rack mount slots. Useful above / below rack mounted equipment or in any way required.

Order Code	£ Ex Vat
VR300	1u Rack 42.96
VR500	Shelf – 430mm(d) 51.50
VR700	Shelf – 630mm(d) 52.75

TABLEAU

Large Screen Lecterns

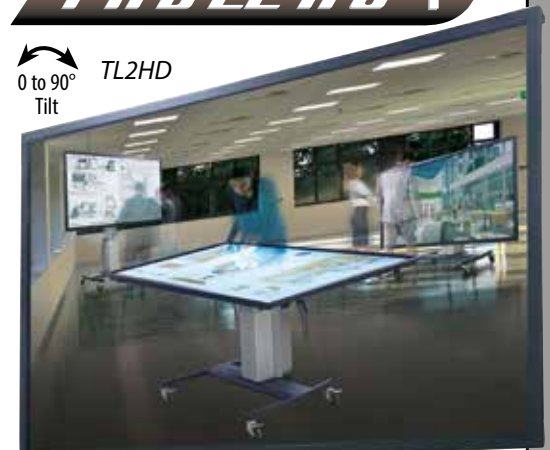
TABLEAU+™

Shown left, TL1, a rigid and stable platform with fixed angle screen mount.

0 to 90°
Tilt

Shown right, TL2HD, a trolley that can be powered up and down with a variable angled screen mount, manually operated through 90 degrees from horizontal to vertical.

The TL2HD is for screens 71" to 100". Full cable management is provided at the rear.



Height to centre of screen
1000mm

80kg
MAX

Typically
33-70"
screens

120kg
MAX

Typically
71-100"
screens

TABLEAU

Mast incorporates two compartments, both 344(w) x 95(d) – 1 x 280(h) & 1 x 398 (h), to house small PCs or other electronics together with cabling. Base unit has resilient non marking feet and clearance for cables routed beneath.

Order Code	£ Ex Vat
TL1-PZX1 for screens 33" - 70"	577.50

TABLEAU+

Operated by manual switch, screens can be commanded to rise or descend smoothly through 500mm, stopping safely when required. Screen angle can be manually moved through 90 degrees and locked at any point. The TL2HD comes with mount & full cable management.

Prices quoted are ex-works as this unit is despatched by dedicated courier or collected

Smooth
Powered
Operation



Order Code	£ Ex Vat
TL2HD for screens 71" - 100"	3484.50

State screen make & model when ordering

Dedicated Screen Mounts



Approved mounts specifically designed for each make and model of screen listed

Xactmatch mounts take all the guesswork out of ordering and installing screen mounts whatever the make or model and whether stand, trolley, wall or ceiling fixed. Our range covers all popular makes of screens and are available in landscape or portrait versions.

- * Factory designed & tested for each screen model
- * Cable entry & cooling vent positions allowed for
- * Landscape and portrait versions for all models
- * Correct screen fixings included



Slimline Flat Mounts (Landscape)

Order Code		£ Ex Vat
PLX1	Screens up to 70" landscape - 80kg	129.20
PLX3	Screens 71" to 100" landscape - 150kg	205.60

PLX1 ●

Slimline Flat Mounts (Portrait)

Order Code		£ Ex Vat
PPX1	Screens up to 70" portrait - 80kg	129.20

State screen make & model when ordering



PLW1 ●

Tilting Mounts (Landscape)

Order Code		£ Ex Vat
PLW1	Screens up to 70" - 80kg	148.40
PLW3	Screens 71" to 100" - 150kg	230.50

Tilting Mounts (Portrait)

Order Code		£ Ex Vat
PPW1	Screens up to 70" - 80kg	148.40
PPW3	Screens 71" to 90" - 150kg	230.50

Xactmatch Rota Mounts

Smoothly rotate screens from landscape to portrait and anywhere in between.

Rota Mount RTM1 is designed to fit most Unicol stand & trolley models or floor to ceiling systems and can also be direct wall fixed if required. In-built safety stops allow precise indexing to both landscape and portrait positions.

Use Rota Mount in conjunction with our range of special Exactmatch slimline flat mounts, stating make & model of screen when ordering.

Order Code		£ Ex Vat
RTM1	Screens up to 70" - Includes PLX mount	248.20

Higher capacity Rota Mounts for larger displays available - Call us for details.



Comes with screen mount
Please state screen make & model

Safety Note: Ensure safe cable management when using these units. Cables should be sheathed or otherwise protected and have sufficient freedom of movement.

Universal Rota Mount

For stands & trolleys



Rotating through 90° this mount can also be adjusted from vertical to 5° tilt. Fits Avecta trolleys or stands.

Order Code		£ Ex Vat
RTM10	Flat & 5° tilt - up to 70"	236.40

Fits VESA sizes 200 x 200, 300 x 300 & 400 x 400

Sound Bar & Video Conference Sound Bar Mounts

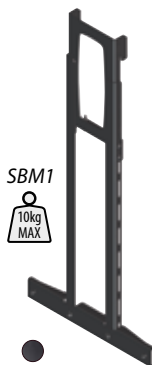
Sound Bar Mounts

We design and manufacture sound bar mounts for many makes and models. These units allow sound bars to be fixed to our stands & trolley ranges and ceiling suspension systems by fixing to columns or universal mounts.

The SBM1 & SBM9 hook onto Universal Mounts. The SBT1 utilises the 150 x 150mm centres for twin screen central mounting.

Can be mounted above or below the screen.

Order Code		£ Ex Vat
SBM1	Screens up to 70" - PZX/W 1&3, FCS1, ScreenRail & KP1&3	188.00
SBM9	Screens 71" to 100" - PZX9U, FCS4 & TCAVT	188.00
SBT1	Twin Screens up to 70"	188.00
SBC	Single Column Suspended - up to 70" Screens	145.00



Video Conference Sound Bar Mounts

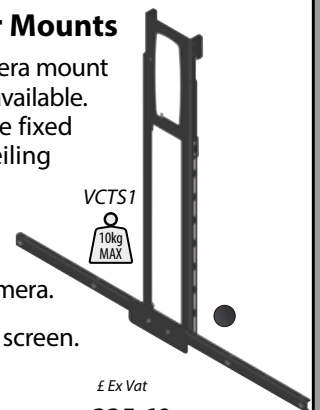
Sound bar mounts that include a camera mount for many makes and models are also available. Sound bars including cameras can be fixed to our stands & trolley ranges and ceiling suspension systems.

These are built for single or twin speakers and designed specifically for the make & model of speakers and camera.

Can be mounted above or below the screen.

Order Code		£ Ex Vat
VCSS1 & VCSS9	Single Speaker + Camera Mount	225.60
VCTS1 & VCTS9	Twin Speaker + Camera Mount	275.90

Please state application, make & model of Sound Bar and Camera

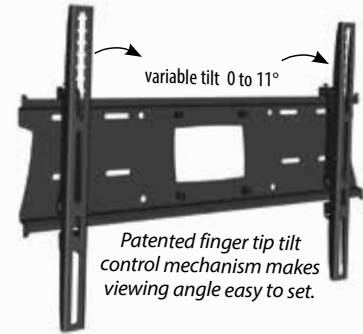


Universal Screen Mounts



Universal screen mount range

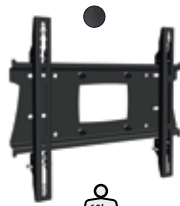
- * Double gang aperture and fixing slots
- * Flat & tilt versions, in landscape and portrait, all with screen levelling & optional security kits available
- * Fully adjustable – accommodates wide range of VESA screen options with fixing kit supplied covering M4, M5, M6 & M8
- * Use direct fixed to wall, also fits all stands, wall arms or ceiling mounts in our range



Flat to Wall Version – 30" to 40"

Depth from wall 45mm

Order Code £ Ex Vat
PZX0 VESA 100 x 100 to 400 x 200 **98.40**
 Overall width / height of mount - **465mm x 332mm**

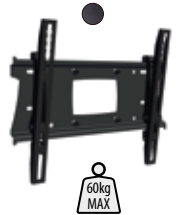


We offer stainless components to combat harsh environments when using waterproof / IP rated screens – *Call us for details*

Tilting Version – 30" to 40"

Depth from wall 55mm

Order Code £ Ex Vat
PZW0 VESA 200 x 200 to 400 x 200 **118.40**
 Overall width / height of mount - **465mm x 332mm**



Flat to Wall Version – 33" to 70"

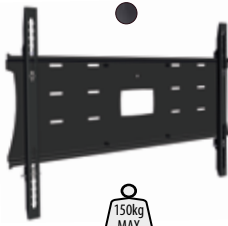
Depth from wall 45mm

Order Code £ Ex Vat
PZX3 VESA 200 x 200 to 400 x 400 **98.40**
 Overall width / height of mount - **540mm x 440mm**



PZX1 VESA 200 x 200 to 600 x 400 **98.40**
 Overall width / height of mount - **765mm x 540mm**

(For VESA 800 x 400 order **PZX5** – **£98.40**)
 (Overall width / height of mount - **870mm x 640mm**)



Tilting Version – 33" to 57"

Depth from wall 55mm

Order Code £ Ex Vat
PZW3 VESA 200 x 200 to 400 x 400 **118.40**
 Overall width / height of mount - **540mm x 440mm**



PZW1 VESA 200 x 200 to 600 x 400 **118.40**
 Overall width / height of mount - **765mm x 540mm**

Tilting Version – 58" to 70"

Depth from wall 65mm

Order Code £ Ex Vat
PZW8 VESA 200 x 200 to 600 x 400 **150.80**
 Overall width / height of mount - **700mm x 536mm**



Pozimount – Portrait

For screens – typically from 40" to 70" VESA 400 x 400 to 400 x 600

Flat to Wall Version

Order Code £ Ex Vat
PPZX2 depth from wall 45mm **98.40**
 Overall width / height of mount - **465mm x 700mm**

(For VESA 200 x 200 to 400 x 400 use PZX3)

Tilt Version (intended for column suspension mounting - add column adapter PS7, column & ceiling plate).



Video Conference Camera Mounts

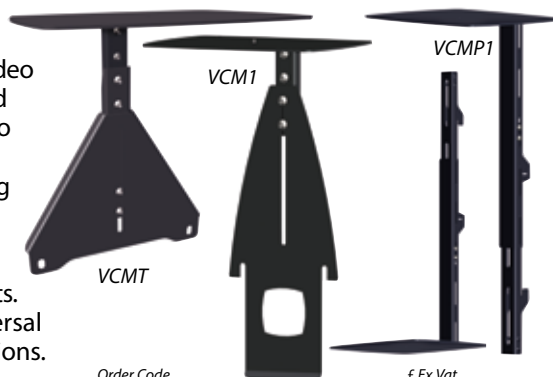
Video Conference Camera Mounts

We have been designing and manufacturing video conference camera mounts for many makes and models for many years. These units allow video conference cameras or any small item to be fixed to our stands & trolley ranges and ceiling suspension systems where a screen is used.

There are a number of models that slot into our screen mount 150 x 150mm fixing arrangements. Other models hook onto the rails of our universal mount range providing options for all installations.

The models listed here have a 360(w) x 260(d)mm standard platform and we have a huge range of custom sizes specific to camera make & model.

Can be mounted above or below the screen.



Order Code £ Ex Vat
VCM1 Screens 57 - 70 **87.90**
VCMT Screens 71 - 100 **87.90**
VCMP1 Universal Mounts **87.35**



Specialist Camera Mounts
 Order Code £ Ex Vat
VCMV1 Vertislide Only **88.20**
RHC B1 Twin screen 'Blade Style' **85.50**

For custom camera platforms please provide make & model – *Call us for details*

Installation Components

Standard colour black – also available in white



Has cable entry



Standard Ceiling Plate

Use with any column length for suspension of projectors & single screens up to 57".

Order Code Plate holes mm £ Ex Vat
CP1 120 x 120 **28.70**



Has cable entry



Large Ceiling Plate

For long column or heavy installations typically up to 70" or twin 57" screens.

Order Code Plate holes mm £ Ex Vat
CP2 240 x 240 **42.90**



Gantry Ceiling Plate

Primarily for spider gantry units (See Page 35). Has internal safety mechanism that allows limited movement of suspension column to protect ceiling fixings.

Order Code Plate holes mm £ Ex Vat
CP5 300 x 300 & 500 x 500 **108.40**



Has cable entry



Anti-Vibration Ceiling Plate

Internal damping system provides floating action to reduce vibration from above. plate holes 120 x 185mm

Order Code Plate holes mm £ Ex Vat
CPAV1 120 x 185 **155.56**



Has cable entry



Tube Clamp

For suspending screens from lighting gantries, show stands or other structures. Screens up to 57".

Order Code £ Ex Vat
TM05 for 50mm tubes **34.85**



With safety hook

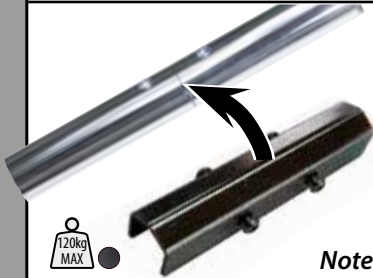
Has cable entry



Truss Clamps

For suspending screens and projectors from standard truss. – fits truss 40 - 55mm dia

Order Code £ Ex Vat
CT1 up to 57" screens **47.40**
CT2 with safety hook **48.60**



Column Coupler

To enable columns with 'through bolt' holes to be joined together for vertical suspension. Coupler conceals neatly within column.

Order Code £ Ex Vat
CC **19.45**

Note: For ceiling suspension use only

Trim Disc

Suspended ceiling finisher.

Order Code £ Ex Vat
TD1 **4.85**

Retro Trim Disc

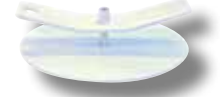
Allows fitting after installation.

Order Code £ Ex Vat
TDRF **20.00**

Blanking Disc

Blanks holes in ceiling tiles.

Order Code £ Ex Vat
TDB1 **6.20**



Has cable entry



360° swivel

Back-to-Back Single Suspension Adapter

Single column mount adapter for Pozimount and Xactmatch mounts when used for ceiling suspension.

Order Code £ Ex Vat
PS5 up to 70" **112.60**



Has cable entry



Column Tilting Adapters

Use with Pozimount and Xactmatch mounts when ceiling suspended.

* Variable tilt to 15°
 * Back to Back version available

Order Code £ Ex Vat
PS7 Single Column **83.50**
PS9 Twin Column **98.60**



PS3U1

Single Column Adapters

Use in conjunction with Pozimount and Xactmatch mounts to position screens vertically on columns. Can also be used for fixing single columns to walls.

Order Code £ Ex Vat
PS3U1 As illustrated, for screens 33"-70" **69.30**
PS5T Back-to-Back version **115.60**



Has cable entry



PS6U1

Floor to ceiling Column Coupler

For mounting screens on two part columns.

Order Code £ Ex Vat
PS6U1 for screens - 33" to 70" **98.90**
PS6UT1 Back-to-Back version **145.20**



	Chrome finish		Stainless Steel	
mm	Order Code	£ Ex Vat	Order Code	£ Ex Vat
500	500	16.25	500SS	31.45
1000	1000	32.50	1000SS	62.85
1500	1500	48.75	1500SS	124.30
2000	2000	65.00	2000SS	155.70
2500	2500	81.25	2500SS	187.15
3000	3000	97.50	3000SS	218.55

Safety 'through bolt' holes must be used for suspension applications



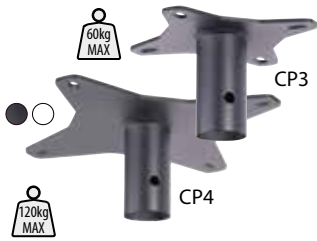
Compact Bolt Down Bases

Offer minimal base footprint for fixed screen stands. M10 floor bolts (not supplied) fully recess into base. Trim caps complete the installation.

Order Code mm £ Ex Vat
ESF Single - 290w x 240d **85.60**
VSF Twin - 400w x 300d **93.20**
AVF Twin - 150mm centres **93.20**

Installation Components

Standard colour black – also available in white



Stub Column Ceiling Plate

Useful in low headroom situations. Allows direct connection of Unicol PSU projector mounts etc.

Order Code	Plate holes mm	£ Ex Vat
CP3	120 x 120	27.40
CP4	240 x 240	41.60



Tilting Ceiling Plate

For sloping or 'out of level' installations. Projectors & single screens up to 57".

Order Code	Plate holes mm	£ Ex Vat
CP6	120 x 120	49.00



Girder Clamps

For girders 75–250mm and 75–350mm wide. Adjust from level to extreme angles of tilt.

Order Code	Span mm	£ Ex Vat
GC25	250	78.45
GC35	350	82.55

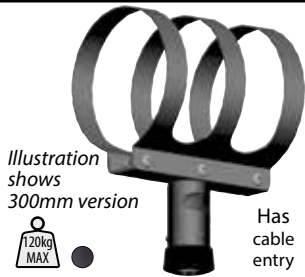
Wider span versions available.



Twin Ceiling Plates

For suspension of screens over 50" & floor to ceiling column installations using floor plates FP8 (see below). CP9 360° swivel version also listed.

Order Code	Version	Plate holes mm	£ Ex Vat
CP8	Standard	220 x 180	65.70
CP9	Swivel	240 x 240	122.30



Pipe Clamps

Available in a wide range of sizes. Please state pipe diameter when ordering.

Typical mount for 75 - 300mm pipe shown.

Order Code	£ Ex Vat
TM530	68.20



Pillar Clamps

We manufacture these clamps in a wide range of sizes for circular pillars.

Order Code	Version	£ Ex Vat
VCC1	Single Arm	330.20
VCC2	Double Arm	360.50

(Triple-arm versions available - Call for details)



Safety Locking Ring

Necessary at the lower end of any ceiling suspension installation using column mounted components, where safety 'through bolts' are absent.

Order Code	£ Ex Vat
LR	6.70



Single Suspension Adapters

Single column mount adapter for Pozimount and Xactmatch mounts when used for ceiling suspension.

* 360° swivel

Order Code	Version	£ Ex Vat
PS1	Single column - up to 70"	64.30



Twin Column Back-to-Back Suspension Adapter

We advise the use of Twin Column suspension for large / heavy back to back installations or screens which may be subject to stress or wind loads.

Order Code	Version	£ Ex Vat
PS4	Twin column - up to 70"	125.60
PS43030	Twin column - up to 100"	181.40



Twin Column Suspension Adapter

Twin column mount adapter for Pozimount and Xactmatch mounts when used for ceiling suspension.

Order Code	Version	£ Ex Vat
PS12	Twin column - up to 70"	74.30
PS123030	Twin column - up to 100"	96.50



Twin Column Adapters

Use in conjunction with Pozimount and Xactmatch mounts to position screens vertically on columns. Can also be used for fixing twin columns to walls.

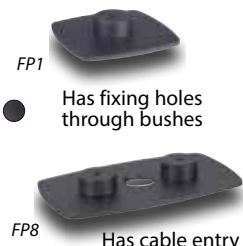
Order Code	Version	£ Ex Vat
PS3V1	Twin column - 33" to 70"	72.95
PS8	Back-to-Back version	85.00



Twin Column Floor to Ceiling Couplers

For mounting screens on two part columns.

Order Code	Version	£ Ex Vat
PS6V1	VS Range - 33" to 70"	108.90



Floor to Ceiling Base Plates

In single or twin column versions. Columns locate securely over bushes to give neat appearance.

Order Code	Version	£ Ex Vat
FP1	Use with CP1 (see page 22)	26.50
FP8	Use with CP8 (see above)	58.70

Custom Made Accessories

We offer a service in making all kinds of special or non-standard accessories – Call us when planning your next installation.

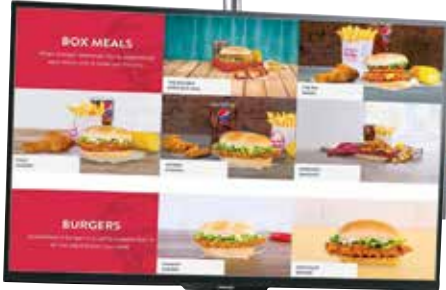


Universal Screen Mount – Trade Packs

Trade Packs for screen suspension

These 'package priced' kits offer ease and convenience for specifiers and installers, combining the necessary ceiling plate, column & universal tilting mount for a typical installation.

Three column lengths are listed to suit different ceiling heights. Trade Packs consist of ceiling plate, column & mount(s).



Note: All white versions are now available, including columns – Please call for details.

Single Screen Trade Packs for VESA 300 x 300 to 600 x 400

Order Code		£ Ex Vat
KP110CB	with 1m suspension column	215.00
KP120CB	with 2m suspension column	247.50
KP130CB	with 3m suspension column	280.00

* (please see note below – smaller size mount options)



Typically
40-70"
screens

45kg MAX
per screen



Back to Back Twin Screen Trade Packs for VESA 300 x 300 to 600 x 400

Order Code		£ Ex Vat
KP110DB	with 1m suspension column	365.00
KP120DB	with 2m suspension column	397.50
KP130DB	with 3m suspension column	430.00

* (please see note below – smaller size mount options)



For 32" Back-to-Back screens with VESA 200 x 200 fixings use CP1, Column length & DCV1

Wall Arm Trade Packs for VESA 200 x 200 to 600 x 400

Order Code		£ Ex Vat
KPWB	Direct coupled	229.90
KP105WB	with 50cm suspension column	247.60
KP110WB	with 1m suspension column	263.85

* (please see note below – smaller size mount options)



* **Note:** The above Trade Packs use PZW1 style mounts. Smaller PZW3 style mounts (P21) for VESA 200 x 200 to 400 x 400 are also available at same price – Call for details.

Slim Profile & Other Mounts

eXcalibur™ Ultra Slim Universal Wall Mounts



7.5 millimetres thin

35kg MAX

Typically 33-57" screens

- * Only 7.5 millimetres thin!
- * For screens up to 57" (max 35Kg)
- * Fits all of the following VESA sizes: 200x200 / 300x300 / 400x400 / 600x400

Order Code		£ Ex Vat
UTM	with 680mm wall plate	55.00
UTM1	with 500mm wall plate	55.00

(Caution: Please check that your screen has cabling connections which allow the use of a slim style wall mount and do not protrude excessively from the rear).

Tablet Mounts



Ideal for point of sale, these mounts are suitable for most sizes of tablet.

Can be fitted to a wall or single column stand and encases your tablet in a steel shell offering anti-tamper protection.

10kg MAX

Typically 7-15" screens

Order Code		£ Ex Vat
TBM1	7" to 11" screens, 100 x 100 VESA	120.40
TBM2	12" to 15" screens, 100 x 100 VESA	123.50

Please provide make & model of Tablet when ordering. PoE adapters can also be accommodated.

Versus Mount Range

As screens become lighter it is only natural to have a mounting system that shows off the virtues of Direct and Edge Lit LED technology.

This range of screen mounts is available in wall, stand or ceiling versions, tilting & non-tilting. The ceiling version is supplied with an adapter to fit a standard column. The trolley version fits directly to a standard PS2 twin column adapter.

The wall version has ample room for services and folds down into a small package for easy stocking. All versions fit the most popular VESA fixing centres.

Ceiling Mount Version

Order Code		£ Ex Vat
VZWC1	0 to 10 degrees tilt	93.70
	200 x 200, 300 x 300, 400 x 400, 600 x 400	
	Add ceiling plate & column as required	

Wall Mount Version Only

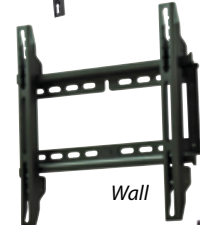
Order Code		£ Ex Vat
VZWW1	flat to wall	69.40
VZWW2	0 to 11 degrees tilt	89.40
	200 x 200, 300 x 300, 400 x 400	

VS1000 Trolley Version

Order Code		£ Ex Vat
VZWW1	0 to 10 degrees tilt	96.80
	200 x 200, 300 x 300, 400 x 400, 600 x 400	



Ceiling



Wall



Trolley

Small Screen Mount Range



20kg MAX

Slim-Line Wall Mount

- * For displays up to 21"

Order Code		£ Ex Vat
LVC	VESA up to 100 x 100	17.80



35kg MAX

Clip-On Slim-Line Wall Mount

Easy to use, fits most screens and has concealed security screw.

- * For displays up to 32"
- * VESA 75 x 75, 100 x 100, 200 x 100

Order Code		£ Ex Vat
SVC1	VESA up to 200 x 100	45.10
SVC2	VESA only 200 x 200	55.10



8kg MAX

Swivel & Tilt Mount

- * For displays up to 21"
- * VESA 75 x 75 and 100 x 100

Order Code		£ Ex Vat
LVA	Tilt Only	35.40
LVB	Swivel & Tilt	41.25



15kg MAX

Lectern style screen mount

For use with touch screens or in show room displays. Tilt angle fully adjustable.

- * For displays up to 32"
- * VESA 75 x 75, 100 x 100, 200 x 200

Order Code		£ Ex Vat
SEV1	VESA up to 200 x 200	86.80



15kg MAX

Tilting Wall Mount

- * For displays up to 32"

Order Code		£ Ex Vat
STV1	VESA up to 200 x 200	59.30
SMV1V	with Swivel & Tilt	79.10



Typically 30-33" screens

15kg MAX

Suspension units with swivel & tilt

Use with any Unicol ceiling or wall suspension equipment.

Order Code		£ Ex Vat
SCV1	VESA up to 200 x 200	84.30
DCV1	Back to Back version	136.50

UNICOL PANARM™

Range of Swivel Arms

All steel, lasting quality, user adjustable joint tensioning, full swivel & tilt plus screen levelling

SSV Dual Arm Shown



EU Registered Design

Compact Single & Dual arms for screens up to 32 inch

The extra versatility of our dual arm units provide increased viewing flexibility – good also in alcoves or corner situations. Unit folds 77mm to wall and reaches 460mm fully extended. Mount plate fits all small screen VESA sizes, has tilt to 10 degrees plus screen levelling fine adjustment.

Order Code

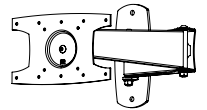
SRV Single Arm – Fits VESA 75 x 75, 100 x 100, 200 x 100
SSV Dual Arm – Fits VESA 75 x 75, 100 x 100, 200 x 100

£ Ex Vat

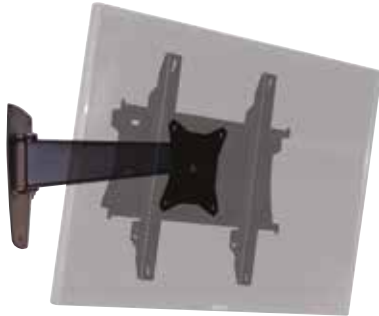
87.10
125.30

Typically 15-32" screens

20kg MAX



These heavy duty (35Kg rated) swivel arms are fitted with our Pozimount universal screen mounts. Each arm version (single or dual) is listed with mounts suitable for either standard or small screen / portrait use.



EU Registered Design

HD Single arm for screens up to 57 inch

Arm fully extends to 430mm (115mm when folded flat) has full swivel & tilt plus screen levelling feature.

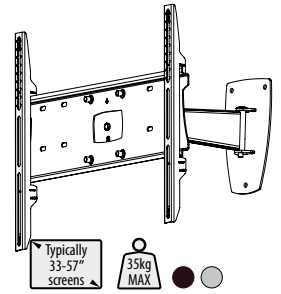
Order Code

PLS1X1 Fits VESA 200 x 200 to 600 x 400 **206.80**
 (With Pozimount PZX1 for most standard applications)

£ Ex Vat

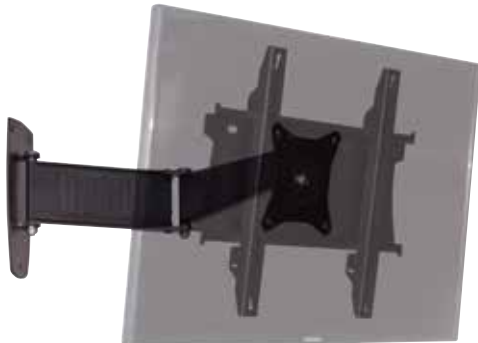
PLS1X3 Fits VESA 200 x 200 to 400 x 400 **197.70**
 (With Pozimount PZX3 for small (32") screens or portrait mounting)

(For full Pozimount details see page 21)



Typically 33-57" screens

35kg MAX



EU Registered Design

HD Dual arm for screens up to 57 inch

Offers enhanced degree of adjustment for more extreme viewing angles – arm fully extends to 730mm (155mm when folded flat) has full swivel & tilt plus screen levelling feature.

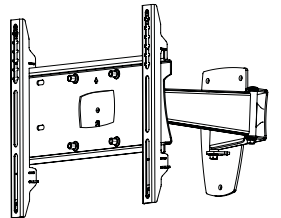
Order Code

PLA1X1 Fits VESA 200 x 200 to 600 x 400 **242.10**
 (With Pozimount PZX1 for most standard applications)

£ Ex Vat

PLA1X3 Fits VESA 200 x 200 to 400 x 400 **233.00**
 (With Pozimount PZX3 for small (32") screens or portrait mounting)

(For full Pozimount details see page 21)



Typically 33-57" screens

30kg MAX

HD "Parallel Action" Dual arm for screens up to 100 inch

Robust construction for screens up to 130kg. Able to swivel left or right as well as track in and out in a parallel manner where its use in alcoves (but not exclusively) works particularly well.

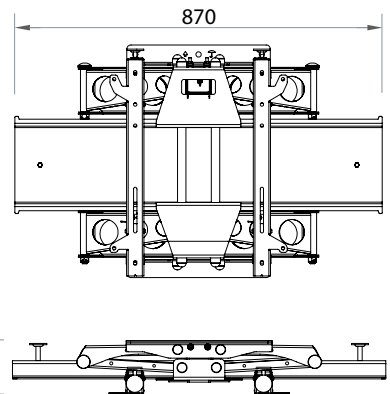
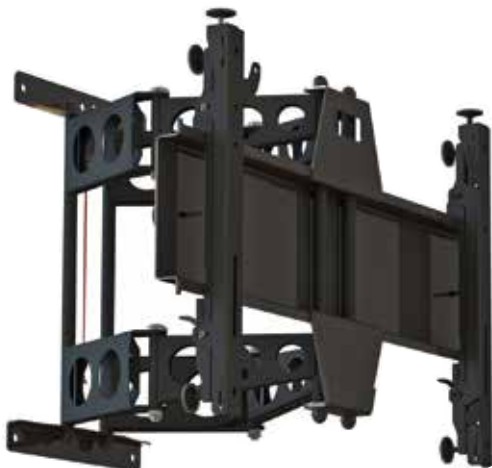
Unit fully extends to 535mm. 120mm when closed. Comes complete with fine adjustment features for accurate screen positioning and has a cord release latch for locking when closed. Adjustable stops are included on the screen arms to prevent screens being pushed in at the sides – particularly useful when using touch screens.

Order Code

PLA4 Fits VESA 400 x 400 - 900 x 600 **985.25**
 (Comes with fully adjustable arms)

£ Ex Vat

Please provide us with the make and model of your screen.



Typically 71-100" screens

130kg MAX

UNICOL Wall Arm System

Wall suspension for screens, projectors, Guardboxes etc.

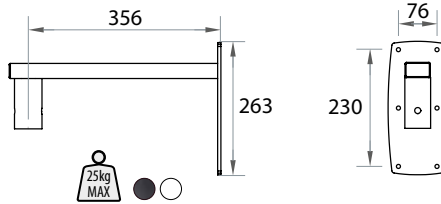
These standard wall arm units are designed for use with any of our screen or projector mounts, Guardboxes etc.

We manufacture two versions; WB1 allows direct connection of mount (using PS1 suspension adapter) and WB2 as a suspension column version. Wall arms can be fitted with any Unicol screen or projector mount listed in this catalogue.

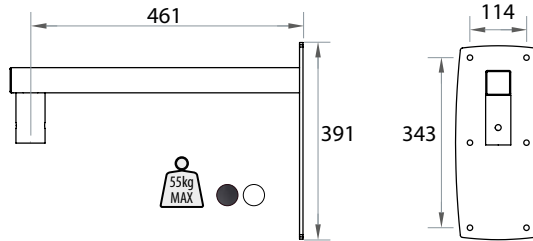
See pages 20 & 21 for screen mounts and page 23 for PS1 adapter.



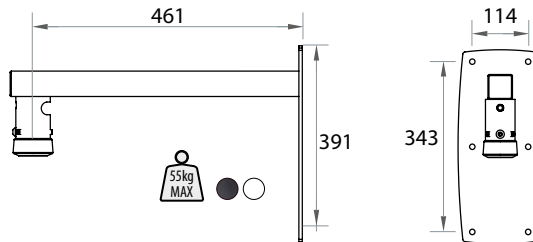
Order Code **WB0** Peg £ Ex Vat **58.20**
WB02 Socket £ Ex Vat **62.10**



Order Code **WB1** Peg £ Ex Vat **76.10**



Order Code **WB2** Socket £ Ex Vat **77.55**



Other arm lengths (mm) are available – Call us for details.

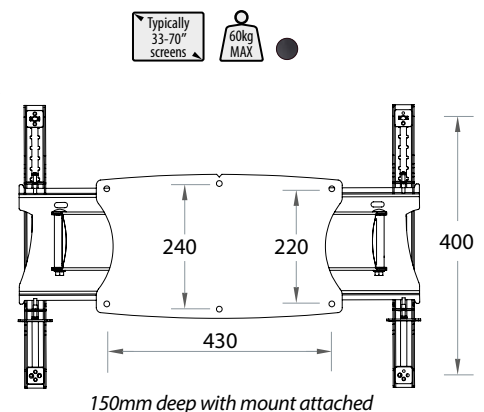
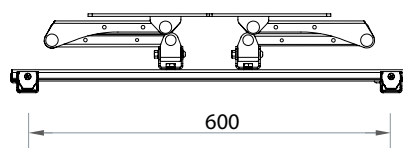
HD "Parallel Action" Dual arm for screens up to 70 inch



Robust construction for screens up to 60kg. Able to swivel left or right as well as track in and out in a parallel manner where its use in alcoves (but not exclusively) works particularly well.

Unit fully extends to 520mm. 150mm when closed. Adjustable tilt built in.

Order Code **PLA2X1** Fits VESA 300 x 300 to 600 x 400 £ Ex Vat **288.10**
 (Comes with Pozimount PZX1)



Outdoor Housings in Landscape or Portrait



Outdoor Housings for up to 86" screens

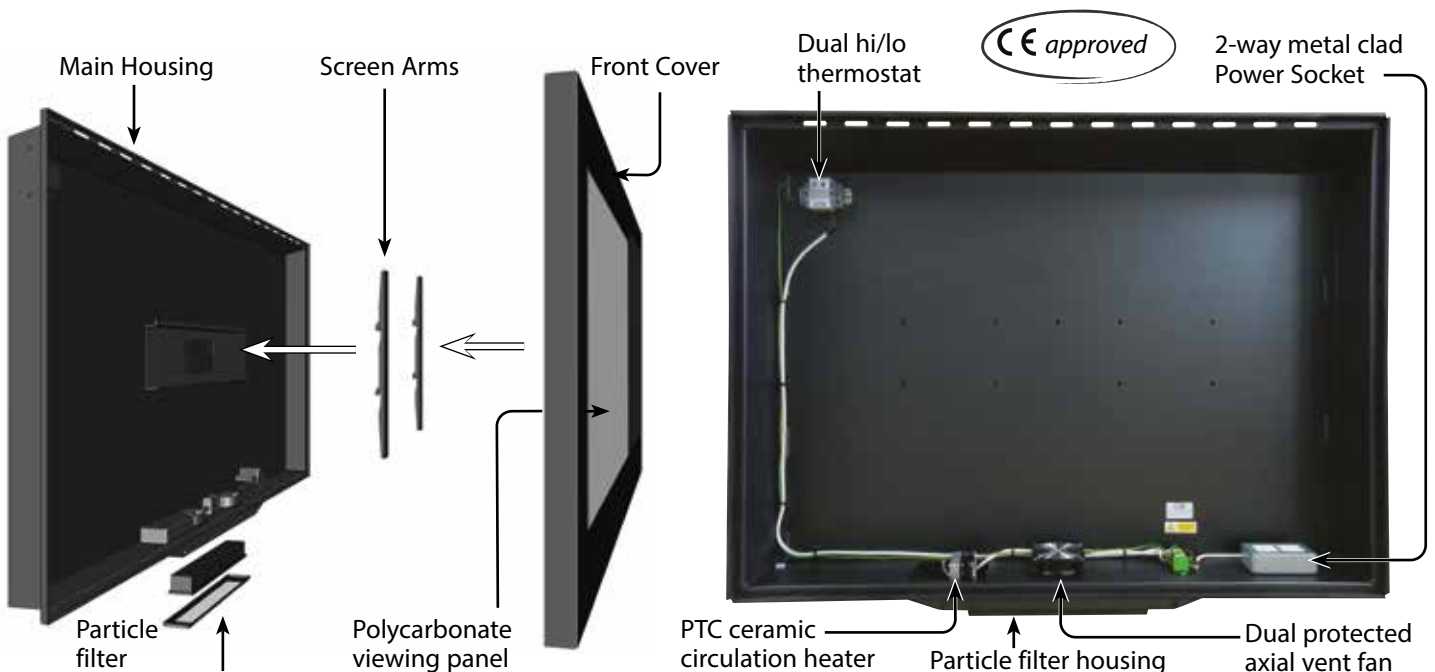
UNICOL pioneered the development of outdoor housings and has unrivalled experience in this specialised field. Our well proven range of housings go from small screen monitors used in harsh environments right up to the latest 86inch large format screens.

All are constructed in 1050 grade aluminium and utilise high quality temperature control components within. Screen viewing panels in impact resistant polycarbonate are incorporated as standard. Toughened or laminated glass is also available as an option.

For the Technical – housings all feature the following:

– In Landscape or Portrait –

- * Tailor made for perfect screen fit every time
 - * Wide range available – 32" to 86" screens
 - * IP53 rated with vandal resistant screen
 - * Corrosion free for long life in all weathers
- * Light weight aluminium construction
 - * Wall, ceiling or back-to-back mountable
 - * Thermostatic internal heating & cooling
 - * User replaceable cartridge air filtration



Typically 30-80" screens

Prices quoted are ex-works as all housings are despatched by dedicated courier or collected

Order Code		£ Ex Vat	Order Code	£ Ex Vat
ODH0	Square Corners – 30" to 32"	1420.10	ODH3	Square Corners – 80" 2690.70
ODH1	Square Corners – 33" to 57"	1530.80	ODH4	Square Corners – 86" Stretched 3520.80
ODH2	Square Corners – 58" to 70"	1610.70		Anti-reflective screen – available £67.20

* Slimline screens have enabled us to manufacture these housings in our new slimline style. These will always be supplied where the screen depth allows. – Please call us for confirmation if needed.



Protective Covers for up to 70" screens

Screen Protective Covers

5mm thick, clear, anti-shatter screen with a metal bezel provides a durable front cover for screens.

Two landscape versions are available, one that clips to the screen (square corners only), the other attaches to the wall (square & rounded corners available). For portrait versions use order code PCP instead of PCL below. Anti-reflective screens also available.

We can supply bespoke versions in branded colours including logos.
– Call for details.

Landscape clip-on (square corners)

(Screen mount required with these units)

Order Code	Minimum 5mm screen bezel	£ Ex Vat
PCL0	Clip-on - 15" to 32"	255.00
PCL1	Clip-on - 33" to 57"	288.40
PCL2	Clip-on - 58" to 70"	346.10

Landscape wall mounted (square or rounded corners)

(Screen mount included with these units)

Order Code	Square corners	£ Ex Vat
PCL5	Wall mounted - 15" to 32"	540.80
PCL7	Wall mounted - 33" to 57"	574.40
PCL8	Wall mounted - 58" to 70"	632.10

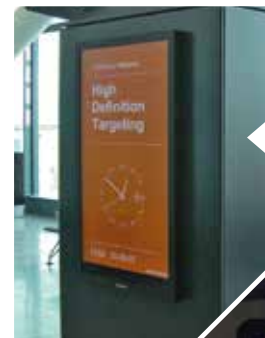
Order Code	Rounded corners	£ Ex Vat
PCL10	Wall mounted - 15" to 32"	865.20
PCL11	Wall mounted - 33" to 57"	898.40
PCL12	Wall mounted - 58" to 70"	956.10

Anti-reflective screen – additional price **£67.20**

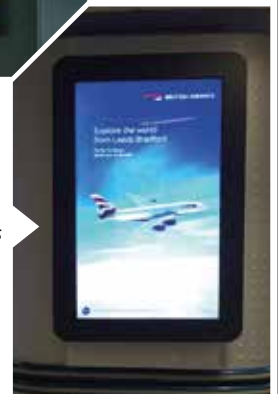
Typically 15-70" screens



Typical landscape clip-on version with square corners



Portrait wall mounted Cover PCP7 with standard square corners. (bespoke screen branding retained) – Heathrow Airport T5



Portrait wall mounted Cover PCP11 with rounded corners Leeds Bradford Airport



Tesco Stores

Rear Covers

We design and manufacture custom made rear covers for a wide range of screen sizes. These enhance any installation and provide a neat appearance enabling cables & connections to be hidden when screens are installed in open areas.

Full screen versions or partial covers to enclose only the cables & connections are available.

Order Code	£ Ex Vat
BCW1 Full covers - screens 33" to 57"	388.30
BCW2 Full covers - screens 58" to 70"	488.40

Typically 33-70" screens

Call us for details quoting make & model of screens being installed



Birmingham Bullring

The UNICOL Difference

Why our outdoor housings and covers look so good and work so well is because each one is tailor made to perfectly fit the screen of your choice. Our advanced Oxford manufacturing facility and screen database enables us to do this, with all Outdoor Housings made in durable corrosion proofed aluminium for long term good looks.

All offered with a reliable & prompt delivery service – usually within 5 to 7 days. **A perfect result in rapid time!**



obeliskTM

Obelisk Digital Signage System

Our well proven and most adaptable range of display enclosures. These are designed around our standard UNICOL chrome, or optional stainless steel columns, to provide the widest choice of installation needs. All are available in free standing, floor-fixed and floor to ceiling versions. Custom options available including floor to ceiling multi-screen and landscape configurations.

- * Single or back-to-back displays
- * Easy to assemble and install
- * Wide choice of screen options
- * Laminated glass option
- * Polycarbonate screen cover option
- * Analytic Camera mount option
- * POS Shelf options available
- * Space for players and PCs
- * Branding options available
- * Colours in Sinterflex Black
- * Other colour finishes available
- * Rapid turnaround on orders

Free Standing Kiosk

Single sided and back to back versions available.

Screen Size	Single Sided		Back to Back	
	Order Code	£ Ex Vat	Order Code	£ Ex Vat
30 - 39	KTC3FS	921.20	KTC3FSB	1,096.15
40 - 49	KTC4FS	1,002.52	KTC4FSB	1,177.52
50 - 59	KTC5FS	1,125.72	KTC5FSB	1,300.72
60 - 69	KTC6FS	1,205.85	KTC6FSB	1,380.85
70 - 79	KTC7FS	1,518.56	KTC7FSB	1,693.56

Bolt Down Kiosk

Single sided and back to back versions available.

Screen Size	Single Sided		Back to Back	
	Order Code	£ Ex Vat	Order Code	£ Ex Vat
30 - 39	KTC3BD	824.30	KTC3BDB	999.40
40 - 49	KTC4BD	905.78	KTC4BDB	1,080.78
50 - 59	KTC5BD	1,027.65	KTC5BDB	1,200.72
60 - 69	KTC6BD	1,107.55	KTC6BDB	1,380.62
70 - 79	KTC7BD	1,437.56	KTC7BDB	1,612.56

Freestanding Totem

Single sided and back to back versions available.

Screen Size	Single Sided		Back to Back	
	Order Code	£ Ex Vat	Order Code	£ Ex Vat
30 - 39	KTC3FST	1,413.15	KTC3FSTB	1,588.20
40 - 49	KTC4FST	1,494.63	KTC4FSTB	1,669.63
50 - 59	KTC5FST	1,559.50	KTC5FSTB	1,734.50
60 - 69	KTC6FST	1,616.85	KTC6FSTB	1,791.85
70 - 79	KTC7FST	1,865.60	KTC7FSTB	2,040.60

Floor to Ceiling Enclosure

Single sided and back to back versions available.

Screen Size	Single Sided	
	Order Code	£ Ex Vat
30 - 39	KTC3FC	1,004.20
40 - 49	KTC4FC	1,085.66
50 - 59	KTC5FC	1,225.26
60 - 69	KTC6FC	1,344.55
70 - 79	KTC7FC	1,555.32

Screen Size	Back to Back	
	Order Code	£ Ex Vat
30 - 39	KTC3FCB	1,179.15
40 - 49	KTC4FCB	1,260.66
50 - 59	KTC5FCB	1,400.26
60 - 69	KTC6FCB	1,419.55
70 - 79	KTC7FCB	1,730.32

Bolt Down Totem

Single sided and back to back versions available.

Screen Size	Single Sided		Back to Back	
	Order Code	£ Ex Vat	Order Code	£ Ex Vat
30 - 39	KTC3BDT	1,372.15	KTC3BDTB	1,547.15
40 - 49	KTC4BDT	1,453.65	KTC4BDTB	1,628.65
50 - 59	KTC5BDT	1,505.36	KTC5BDTB	1,680.36
60 - 69	KTC6BDT	1,552.35	KTC6BDTB	1,727.35
70 - 79	KTC7BDT	1,829.65	KTC7BDTB	2,004.65



– Call us for details

Prices quoted are ex-works as all housings are despatched by dedicated courier or may be collected

edgeline™

Edgeline Digital Signage System

An alternative design choice with hollow box section support uprights, which provide additional cable management and enhanced design appeal.

Favoured by many corporate and retail specifiers. The Edgeline range is noted for its distinctive appearance which fits well with current design trends. Choose from a variety of available configurations; Free Standing versions with either open or enclosed lower sections. Bolt down versions are also available where permanently fixed signage is more appropriate. Double sided screen versions are also available.



Free Standing Kiosk

Single sided versions available.

Screen Size	Order Code	£ Ex Vat
30 - 39	EKTC3FS	971.08
40 - 49	EKTC4FS	1,060.70
50 - 59	EKTC5FS	1,196.46
60 - 69	EKTC6FS	1,284.77
70 - 79	EKTC7FS	1,629.37

Bolt Down Kiosk

Single sided versions available.

Screen Size	Order Code	£ Ex Vat
30 - 39	EKTC3BD	864.30
40 - 49	EKTC4BD	954.09
50 - 59	EKTC5BD	1,088.39
60 - 69	EKTC6BD	1,174.31
70 - 79	EKTC7BD	1,540.11

Free Standing Totem

Single sided versions available.

Screen Size	Order Code	£ Ex Vat
30 - 39	EKTC3FST	1,513.21
40 - 49	EKTC4FST	1,603.00
50 - 59	EKTC5FST	1,674.49
60 - 69	EKTC6FST	1,737.63
70 - 79	EKTC7FST	2,011.81

Bolt Down Totem

Single sided versions available.

Screen Size	Order Code	£ Ex Vat
30 - 39	EKTC3BDT	1,468.03
40 - 49	EKTC4BDT	1,557.84
50 - 59	EKTC5BDT	1,614.83
60 - 69	EKTC6BDT	1,666.61
70 - 79	EKTC7BDT	1,972.19



Edge-Line – for Double Sided Screens

Designed for double-sided screens such as the Samsung OMN-D 46" & 55" displays, this clean faced design enhances contemporary interiors. Available in freestanding or bolt down versions

Double Sided Screens

Screen Size	Type	Order Code	£ Ex Vat
46	Freestanding	ODS46FS	646.60
46	Boltdown	ODS46BD	646.60
55	Freestanding	ODS55FS	695.10
55	Boltdown	ODS55BD	695.10

Please specify colour, screen make and model when ordering. Other screen sizes available upon request. Examples shown in non-standard Sinterflex White.



* For custom versions please call for details. (Larger screen versions are possible).

ADAPTA-WALL®

Patent Pending Registered Design

The installer friendly Pop Out mount loaded with innovative features.

- * With standard 'Push to close - Push to open' action. Also available with remote latching system where closure with no screen contact in the case of ultra thin displays is required.
- * For screens up to 45Kg with fixings; VESA 200 x 200 to 800 x 400mm.
- * Full screen adjustment in all planes.



- * Accurate horizontal / vertical centre line marks on all back plates for easy set up.
- * For direct wall fixing or use with our video wall structure components for ceiling, floor to ceiling or floor to wall applications.
- * Optional 'pull cord' security feature prevents unauthorised 'Pop out' operation in public areas or any situation required.



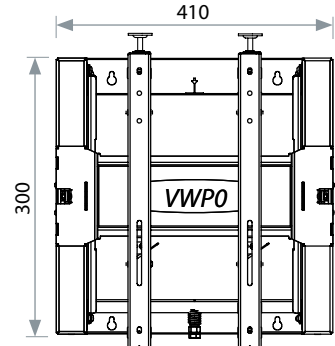
70mm - Closed
220mm - Open

Compact Version

Order Code £ Ex Vat
VWPO 318.50

The compact size of this version is for screens up to 40" and covers VESA sizes 100 to 300mm. Comes complete with fine adjustment features for accurate screen positioning.

Wall Plate dims: 410w x 500h
Fits VESA: 100 x 100mm 200 x 200mm 300 x 200mm



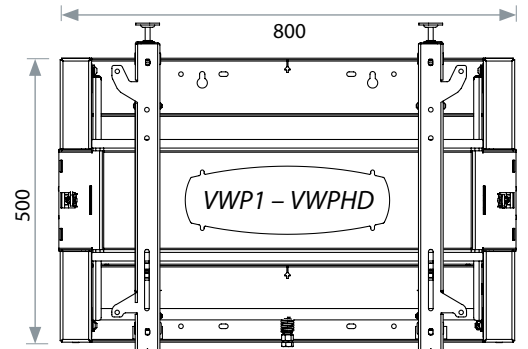
103mm - Closed
350mm - Open

Standard Version

Order Code £ Ex Vat
VWP1 347.80

All Adapta-Wall mounts come with a wide range of VESA fixing sizes, complete with fine adjustment features for accurate screen positioning.

Wall Plate dims: 800w x 500h
Fits VESA: 300 x 300mm 400 x 400mm 600 x 400mm



For screens with VESA 800 x 400mm fixing points a stretched version, VWP3 is available.



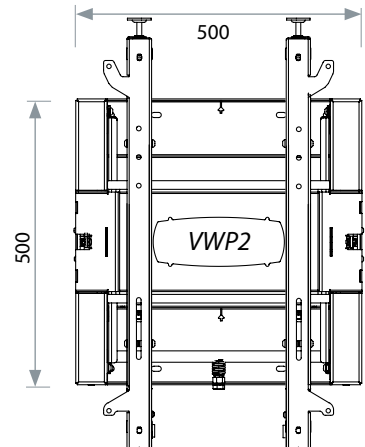
103mm - Closed
350mm - Open

Heavy Duty Version

Order Code £ Ex Vat
VWPHD 565.30

This version is ideal for single screens mounted in recesses. It has all the characteristics of the standard version but carries heavier screens up to 80kg.

Wall Plate dims: 800w x 500h
Fits VESA: 300 x 300mm 400 x 400mm 600 x 400mm



103mm - Closed
350mm - Open

Portrait Version

Order Code £ Ex Vat
VWP2 354.60
VWP4 354.60

The compact (500mm) width of this version allows use of screens in portrait mode. The two models listed have the same back plate but come with two different sets of arms to cover a wider range of VESA fixings.

Wall plate 500w x 500h
VWP2 - Fits VESA 400 x 600mm VWP4 - Fits VESA 400 x 400mm

All versions can be wall fixed or used with our Adapta-Wall structure system fittings below. For ceiling suspension use (Quad) 4 column parts, (locking rings must be used - P23). For floor to ceiling / wall, use (Twin) 2 column parts.

Ceiling, Wall & Floor Plates

Order Code	£ Ex Vat	Order Code	£ Ex Vat
VWPA10 Quad Ceiling Plate	145.50	VWPA2 Twin Ceiling Plate	86.80
VWPA11 Quad Floor Plate	140.50	VWPA4 Twin Floor Plate	92.30
		VWPA9 Wall Plate	97.50

Mount U-Clamps (set of 4)

Order Code	£ Ex Vat
VWPA5 Fits mounts to columns	82.50

Quad Tie Brace Units (pair)

Connects vertical & horizontal columns.

Order Code	£ Ex Vat
VWPA1 Tie brace units (pair)	98.20

Free Standing Video Walls & Roller Trak



Free-standing video wall system

Ideal for situations when quick, easy and accurate assembly is required such as hire and retail, where regular change is inevitable.

This robust modular structure is made of individual mast units that are joined with cross members enabling a 4-high display unit to have infinite width (3-high display units are also available). Cable management runs are catered for and there is adequate space for players or PCs.

Each display fixes to the VWP1 standard 'Push to close - Push to open' video wall mount capable of VESA 200 x 200 to 800 x 400, for displays up to 45kg, (see Page 32). The mount allows for tool-less adjustment in all planes by means of knurled wheels for in-out and up-down movement. Lateral action is achieved by sliding the display smoothly on wheels located in the mount arms.

- * **Robust modular construction**
- * **Easy to assemble and install**
- * **Wide choice of screen options**
- * **Space for players and PCs**
- * **Discreet cable management**
- * **'Push to open' - 'Push to close' mounts**
- * **Tool-less screen adjustment**

– Call us for details

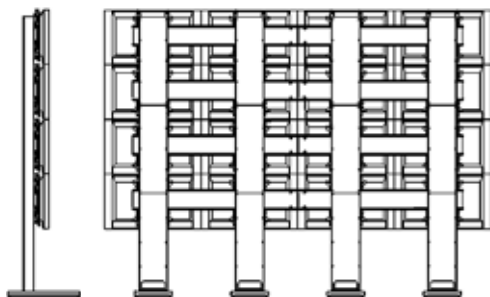


Image shows 3 x 3 wall with 55inch displays.
Illustration shows 4 x 4 wall with 46inch displays.

Shop Window Solutions

Ideal for retail and other applications to enable screens to be tracked in / out & from side to side, thus opening exciting possibilities for window displays, dynamic presentations, servicing needs or just access for screen / store front cleaning.

AV Roller Trak system consists of track lengths of standardised design which carry smooth running ball bearing trolley units. Standard Uicol column lengths & screen mounts complete the installation.

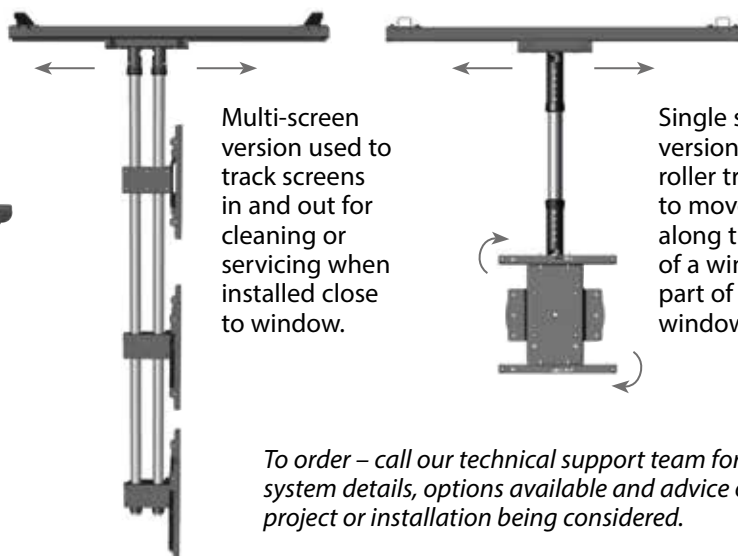
- * **Smooth, easy glide operation**
- * **Single or multiple screens**
- * **Wide choice of track lengths**
- * **Swivel or Rotamount options**



AV Roller Trak™



Typical roller track in window display use

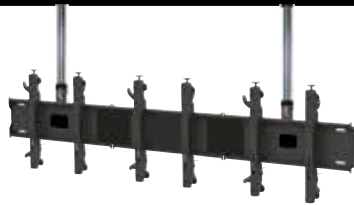


To order – call our technical support team for full system details, options available and advice on any project or installation being considered.

ScreenRail Universal Multi-Display System

ScreenRail™

- * Ceiling Suspended
- * Wall mounted



ScreenRail Multi-Display System

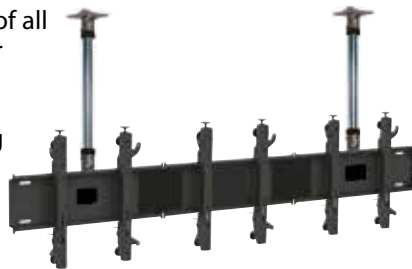
A highly adaptable rail system for mounting screens in-line, in any number. Ideal for Digital Menus, Videowalls & Telepresence, etc. Can be wall mounted and ceiling suspended. ScreenRail system comprises a choice of standard rail modules and a range of screen arms to cover all applications. Back to Back versions also available.

When selecting parts consideration has to be given to screen width & VESA fixing size. The examples of menu boards and videowalls below use **VWA** adjustable arms. We have given these specific codes for ease of ordering but we urge you to check before ordering by providing us with the make & model of your screen. Ceiling suspension examples use 1.5m columns.

Menu Boards

Wall mounted & ceiling suspended.

These kits consist of all parts necessary for fixing screens in line on a wall or ceiling suspending on 1.5 columns.



1 x 3 (wall mounted)

Order Code	Screen	£ Ex Vat
MBW346	46"	604.15
MBW350	50"	651.75
MBW355	55"	660.50

1 x 4 (wall mounted)

Order Code	Screen	£ Ex Vat
MBW446	46"	870.00
MBW450	50"	854.45
MBW455	55"	916.60

1 x 3 (ceiling suspended)

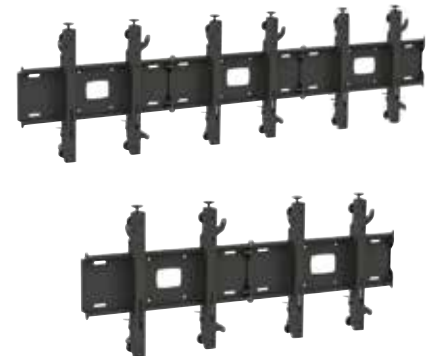
Order Code	Screen	£ Ex Vat
MBC346	46"	745.90
MBC350	50"	793.50
MBC355	55"	802.30

1 x 4 (ceiling suspended)

Order Code	Screen	£ Ex Vat
MBC446	46"	1,011.75
MBC450	50"	996.20
MBC455	55"	1058.35

Video Wall – Wall mounted

By fixing appropriate rail lengths on a wall a video wall can be assembled. Here are examples of 2x2, 3x3 and 4x4 video walls for leading brand 46", 50" and 55" displays. You should check before ordering by providing us with the make & model of your screen.



2 x 2 Video Wall

Order Code	Screen	£ Ex Vat
MV246	46"	812.20
MV250	50"	812.20
MV255	55"	953.60

3 x 3 Video Wall

Order Code	Screen	£ Ex Vat
MV346	46"	1812.45
MV350	50"	2172.25
MV355	55"	1981.65

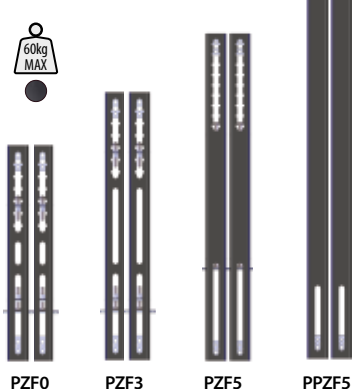
4 x 4 Video Wall

Order Code	Screen	£ Ex Vat
MV446	46"	3480.00
MV450	50"	3417.80
MV455	55"	3666.40

Standard Universal Arms

Pozimount universal mount arms. Supplied with M4, M5, M6 & M8 fixing screws. Arms incorporate 5mm screen levelling feature and are 45mm deep.

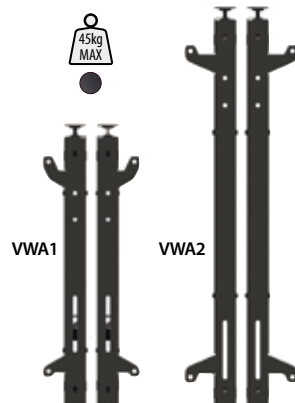
Order Code	length	VESA	£ Ex Vat
PZF0	330mm	200	41.50
PZF3	440mm	400	41.50
PZF5	640mm	600	41.50
PPZF5	840mm	800	55.25



Tool-less Fully Adjustable Arms

Feature 15mm in-out adjustment and 15mm of levelling fine adjustment. Side to side adjustment included.

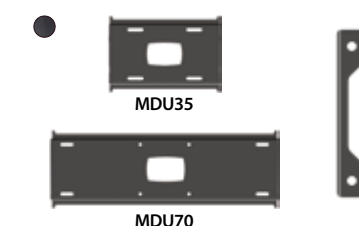
Order Code	VESA	£ Ex Vat
VWA1 Landscape	400	139.65
VWA2 Portrait	600	139.65



Rail Modules

In 3 standard lengths, all with full interchangeability. Provision for bolting together as required. May be ceiling suspended or direct wall fixed, with or without tilt extension brackets (SR10 / SR20).

Order Code	mm (w - h - d)	£ Ex Vat
MD2U35	350 x 235 x 33	69.80
MD2U70	700 x 235 x 33	84.90
MD2U140	1400 x 235 x 33	105.20



Other lengths of rail are available to order: 450(w), 800(w), 1000(w), 1200(w), 1700(w), 1800(w), 2100(w) – Call for details

Fixed Tilt Stand-off Brackets

Use these optional brackets to provide tilted display whenever required. 10 or 20 degree tilt versions listed.

Order Code	£ Ex Vat
SR10 10° tilt (pair)	36.20
SR20 20° tilt (pair)	38.40



Multi-Screen Gantry Systems

Spider Gantries

These ceiling mounted units are available for a wide range of screen sizes incorporating our Pozimount universal tilting screen mounts. The spider style and single column gantry versions have swivel capability and all have cable entry ports for neat installation.

By their very nature all spider style and in-line gantries incorporate parts which are factory made to suit specific requirements but all versions are available on a short turn round basis.

Call our technical support team for advice on any project or installation being considered.



Spider – triple screen unit



* We also manufacture gantries for projectors – Call us for details

In-line Gantries

Side View



Single sided In-line gantry

Spider – five screen 'pentagon' unit



CP5 Ceiling Mount



Side View

Back-to-back In-line gantry



Typically 33-57" screens

Spider five screen gantry - illustration shows typical gantry main frame. Add heavy duty column / CP5 ceiling mount (special to these gantries) & screen mounts (pages 20/21).

Order Code		£ Ex Vat
SG3	3 screen spider gantry - max weight per screen 50Kg	462.90
SG4	4 screen spider gantry - max weight per screen 50Kg	617.20
SG5	5 screen spider gantry - max weight per screen 40Kg	770.00
CP5	Large gantry ceiling mount for use with above (Page 22)	108.40

Order Code	Bar Length (mm)	£ Ex Vat
DIG1050	100-500	75.60
DIG50100	500-1000	75.60
DIG100150	1000-1500	75.60
DIG150200	1500-2000	75.60

Order Code	£ Ex Vat
MSS1 Bolt on socket	17.00
MSP1 Bolt on peg	14.00

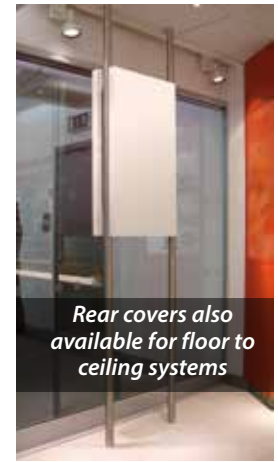
In-line gantries require MSS1 sockets and MSP1 pegs (above), Single sided require PS1s, Back-to-Back PS5s (Page 22). All require Screen Mounts (Pages 20/21).

Product codes & prices listed are intended as a guide as most gantry installations are 'project driven' with the make/model & number of screens as well as the location already chosen. Call our technical team who have wide experience in advising the necessary mount component 'package' to best meet the needs of your installation.

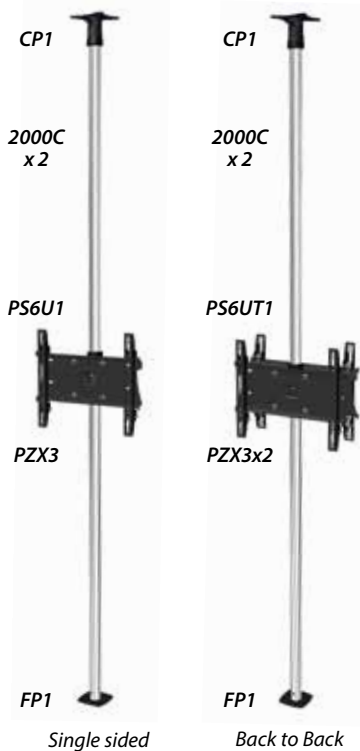
Floor to Ceiling and Floor to Wall Systems

- * Single sided and back to back screen versions
- * Cable management within column uprights
- * Floor to ceiling and floor to wall options

Below are three standard methods of floor to ceiling / wall installation. Select any of the trade kits listed (for nominal ceiling heights of 4m). If the kits do not meet your needs order in component form as required. To enable adjusting heights of screens at installation, long column lengths can be ordered separately with standard adapters. If services are from the floor use ESF or AVF floor plates (Page 22) for cable management.



Single column



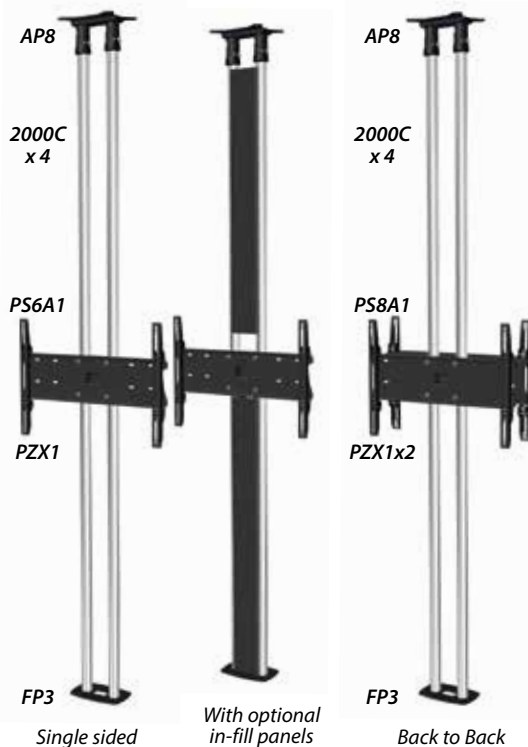
Floor to ceiling single column kits:

Order Code	£ Ex Vat
FCUS3 up to 57" - single screen	360.00
FCUD3 up to 57" - back to back	468.30

Floor to wall single 2m column kit:

FWUS3 up to 57" - single screen	316.55
--	---------------

Twin column



Floor to ceiling twin column kits:

Order Code	£ Ex Vat
FCAS1 up to 70" - single screen	614.35
FCAD1 up to 70" - back to back	723.30
FCAVM optional set of In-fill panels	396.00

Floor to wall twin 2m column kit:

FWAS1 up to 70" - single screen	400.65
FWAVM optional set of In-fill panels	179.05

Goal post style for large screens



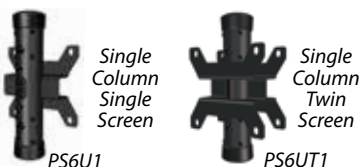
Floor to ceiling 'goal post' style kits:

Order Code	£ Ex Vat
FCGS1 up to 70" - single screen	537.80
FCGD1 up to 70" - back to back	636.20
FCGSH up to 100" - single screen	667.50
FCGDH up to 100" - back to back	832.70

Floor to wall 'goal post' style kits:

FWGS1 up to 70" - single screen	470.10
FWGSH up to 100" - single screen	599.80

Floor to Ceiling Adapters



Screen mount adapters with integral cable management.

Order Code	£ Ex Vat
PS6U1 Single Screen	98.90
PS6UT1 Twin Screen	110.60



Twin column version with integral cable management.

Order Code	£ Ex Vat
PS6A1 Single Screen	100.70
PS8A1 Twin Screen	122.10

Floor to Wall Adapters & Fixing Brackets



Screen mount adapters for single & twin column use.

Order Code	£ Ex Vat
PS3U1 Single Column	69.30
AV2 Twin Column	59.75

Wall fixing brackets for single & twin column use.

Order Code	£ Ex Vat
CTS Single Column	48.60
CTT150 Twin Column	64.30

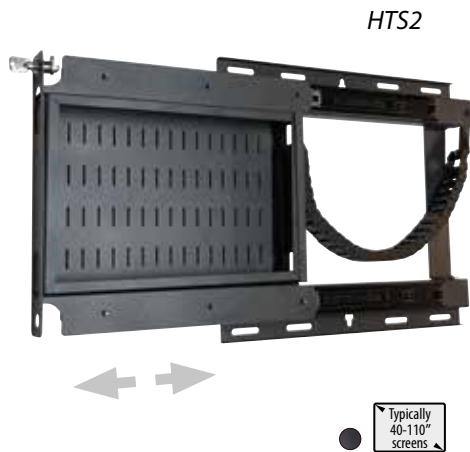


Universal Sliding Serviceable Cassette Mounts

The Sliding Serviceable Cassette Mount range consists of wall fixed or under desk mounts with vertical, horizontal or folding slotted cassettes that can be populated with AV peripherals.

The VertiSlide Serviceable Cassette Mount range consists of wall fixed screen mounts with vertical or horizontal sliding & detachable slotted racks for mounting AV equipment. There are three models for different screen sizes. The equipment is hidden behind the screen. Depending on the model, in the event of a swap out the rack can be unlocked, slid down or across and detached if necessary. VertiSlide is a universal unit designed for most screens with the rack positioned towards the bottom of the screen.

An under desk version is also available and incorporates a hinged slotted removeable rack for mounting AV equipment such as players etc. When installed the equipment is hidden under the desk but in the event of a swap out the rack can be unlocked, hinged down and detached if necessary to carry out the maintenance. Has easy close counterbalance mechanism.



HTS2



Typically 40-110" screens

Horizontal Serviceable Cassette Mount

Order Code	Screens	max weight	£ Ex Vat
HTS1	71" to 100"	max 110kg	599.30
	VESA - 200 x 200 to 900 x 600		
HTS2	46" to 70"	max 60kg	405.14
	VESA - 200 x 200 to 600 x 400		



VTS2U

Video conference camera mount VCMV1 also available See Page 21

Custom sizes available. State screen make & model and AV equipment being fitted when ordering.



UDM1

Vertical Serviceable Cassette Mount

Order Code	Screens	max weight	£ Ex Vat
VTS1	71" to 100"	max 110kg	578.36
	VESA - 200 x 200 to 900 x 600		
VTS2	46" to 70"	max 60kg	384.24
	VESA - 200 x 200 to 600 x 400		

Under-Desk Serviceable Cassette Mount

Order Code	£ Ex Vat
UDM1	256.60

PC / Player Housing & Racks



Universal Mount Version

Housing inner dimensions 320(w) x 100(d) x 330(h) mm

Screen Mount / PC housing combinations

We manufacture screen mounts incorporating housings for small form factor PCs. These units greatly reduce installation time. Units are listed below incorporating our Pozimount universal mounts in tilting & non-tilting versions.

Custom made, security locking versions & power socket options also available.

Order Code	£ Ex Vat
PCZW Universal PC Housing Tilting	253.80
PCZX Universal PC Housing non-Tilting	233.80



State make & model of screen & PC to be housed

Typical custom made units shown.

Projector Suspension Units

Standard colour Sinterflex Black – also available in Sinterflex White



Copyright Hilary Lloyd, Photo courtesy of Sadie Coles HQ, London

Our PSU (Projector Suspension Unit) range covers all makes of projectors. Each mount is specifically designed for the individual projector models listed, supporting the projector either inverted or in a cradle according to manufacturer's recommendations.

Direct Fixing



PSU shown

The preferred method of projector mounting. All our PSU mounts are designed to align accurately with the projector mounting holes and take account of cooling or lamp access needs.

All PSU mounts are now available as micro adjustable versions having 2 axis, level & tilt. (See centre panel).

Order Code		£ Ex Vat
PSU	Standard direct fixing version	138.00
PSC	Cradle direct fixing version	172.00
VSU	Vertical down aspect version	165.00
PPSU	Portrait version	271.20
PSM	Micro-adjustable version	206.80

Cradle Units



PSC shown

An alternative method of projector mounting, either to meet a projector's optical needs or to give protection to projectors when used in 'location to location' or hire circumstances.

Micro Adjustment®

This 2 axis micro adjustment factory fitted option is available for most PSU units and provides a range of precision adjustment in level and tilt.



Registered Design

PSU Specials



We have a wealth of expertise in the design and manufacture of all kinds of projector suspension units to meet client's special requirements. These include mounts for downward or upward projection, multi-projector units, 3D rigs and one-off projects.

– Call us when planning your next installation



Trim Disc

Gives a neat finish where columns pass through suspended ceilings.

Order Code	£ Ex Vat	
TD1	4.85	<input type="radio"/> <input checked="" type="radio"/>



Retro Trim Disc

Allows fitting after installation for a neat finish.

Order Code	£ Ex Vat	
TDRF	20.00	<input type="radio"/> <input checked="" type="radio"/>



Blanking Disc

Blanks holes in ceiling tiles from 6mm to 60mm.

Order Code	£ Ex Vat	
TDB1	6.20	<input type="radio"/> <input checked="" type="radio"/>



Photos courtesy of Smelling Business Systems

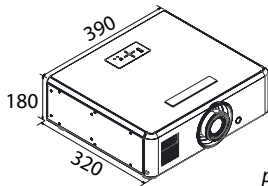
Guardbox Projector Security Cages

GUARDBOX® Anti-theft Enclosures

Constructed from heavy gauge steel and incorporating many innovative features. Five sizes are available covering a wide range of projectors. Each Guardbox incorporates our unique twin bar system, designed to fit into a number of slots for different projector lens positions. Each bar has another bar fitted inside making it virtually impossible to hacksaw through.



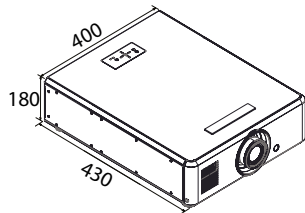
Order Code
PGX £ Ex Vat
279.80



Max
projector
size (excluding
cables)



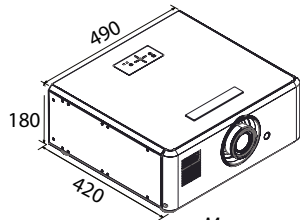
Order Code
PGS £ Ex Vat
282.60



Max
projector
size (excluding
cables)



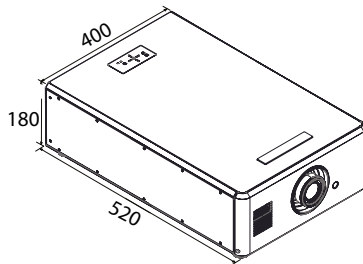
Order Code
PGM £ Ex Vat
341.70



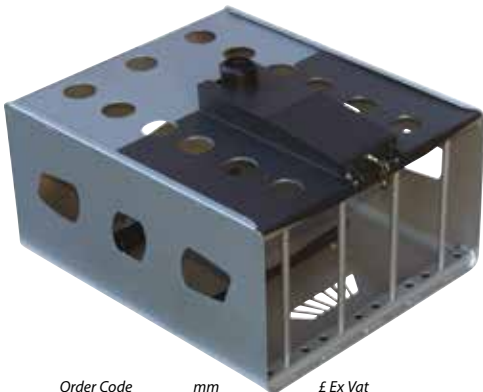
Max
projector
size (excluding
cables)



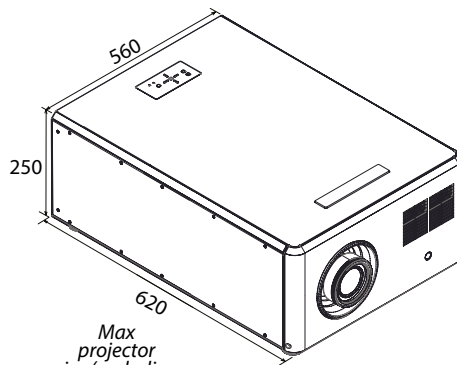
Order Code
PGL £ Ex Vat
343.50



Max
projector
size (excluding
cables)



Order Code mm £ Ex Vat
PGG 560(w) x 620(d) x 250(h) **352.60**
PGW 600(w) x 550(d) x 250(h) **350.20**



Max
projector
size (excluding
cables)



Taglock Kit

As a further aid to security for the Guardbox range, our 'Taglock' Kits are available to provide secondary locking.

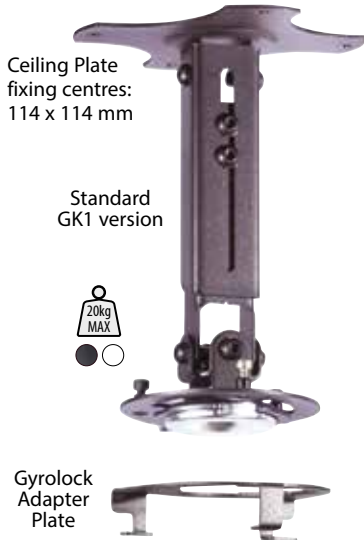


Order Code £ Ex Vat
TLK Comes with padlock **25.10**

Gyrolock® ~ With Trilok® Docking System

20
Years of
award
winning
design

The Trilok docking system uses a standardised 'bayonet style' fitting to carry projector mounting plates made specifically to fit each make & model of projector (a universal version also listed). The docking system allows easy projector set up, removal for routine maintenance and for future model change.



- * Now in white as an option – The GK1 version fits anyway up, ceiling, wall or base fixable
- * Projector locks into Trilok® docking system, using either our dedicated Gyrolock Adapter Plates (GAP) or universal adapter (GAPU)
- * Full tilt & turn adjustment for easy set up
- * Telescopic – for use through suspended ceilings or in any high, low or normal headroom situation
- * Safety rated for projectors up to 20Kg ceiling mounted, 12Kg wall mounted (GK1 only) & 12Kg if using a universal GAP plate (GAPU)

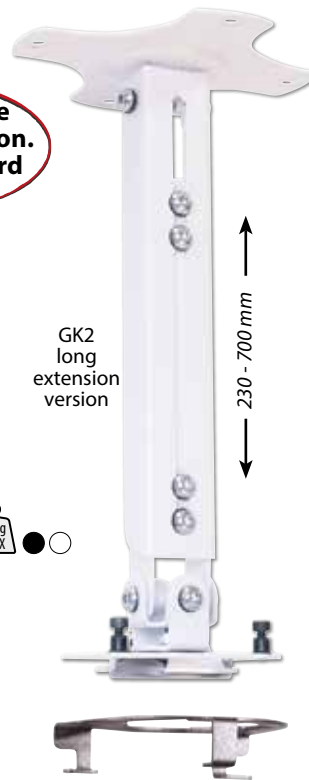
Over 400,000 sold!



Shown in white as a no cost option. Black as standard

Select any of these versions to suit your headroom needs.

All use the Trilok docking system and are supplied with either a dedicated projector mount (GAP) or optional universal adapter plate (GAPU) if compatible.



Column Suspension Version
Gyrolock 'head' complete with adapter plate (or universal mount). Needs column and ceiling plate (see Page 22) to complete your installation.

Close Ceiling Version

Order Code max weight £ Ex Vat
GKC-GAP 20kg **135.80**
(Projector adapter plate version – state projector make & model).

Order Code max weight £ Ex Vat
GKC-GAPU 12kg **135.80**
(Universal projector mount version)

Standard Version

Order Code max weight £ Ex Vat
GK1-GAP 20kg **149.60**
(Projector adapter plate version – state projector make & model).

Order Code max weight £ Ex Vat
GK1-GAPU 12kg **149.60**
(Universal projector mount version)

Long Extension Version

Order Code max weight £ Ex Vat
GK2-GAP 20kg **167.80**
(Projector adapter plate version – state projector make & model).

Order Code max weight £ Ex Vat
GK2-GAPU 12kg **167.80**
(Universal projector mount version)

Order Code max weight £ Ex Vat
GK4-GAP 20kg **129.20**
(Projector adapter plate version – state projector make & model).

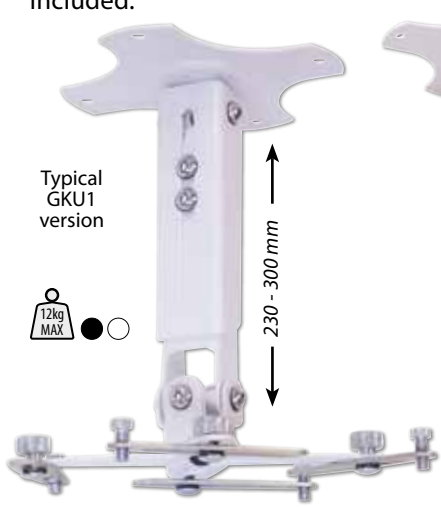
Order Code max weight £ Ex Vat
GK4-GAPU 12kg **129.20**
(Universal projector mount version)

These products are the subject of UK and USA design rights. UK Registered Design 3071575. UK Trade Mark 2244062. US Patent 10/049390.

Gyrolock® ~ With Universal Mounts

These universal mounts offer a wide range of adjustment not only to cover widely differing projector screw fixing centres but also allow clearance for contour variations often found in projector design. A universal screw pack to cover most projectors is included.

Shown in white as a no cost option. Black as standard



Typical GKU1 version

230 - 300 mm

Gyrolock Standard Universal

Order Code	Height	£ Ex Vat
GKU1	230 to 300mm	89.80
GKU2	230 to 700mm	108.10

Camera Screw Version

GK0	230 to 300mm	66.90
------------	--------------	--------------



GKUX Compact

Gyrolock Compact

Easy installation
Fixed height

Order Code	£ Ex Vat
GKUX	69.10



Typical KPR column version universal kit

Gyrolock Long

Adjustable from 700 to 1200mm (suspension only)

Order Code	£ Ex Vat
GKU3	114.90
Dedicated GAP version	
Order Code	£ Ex Vat
GK3	174.60

Column Version Universal Kits

Order Code	Column mm	£ Ex Vat
KPR15CB	500	110.00
KPR110CB	1000	130.00
KPR120CB	2000	160.00
KPR130CB	3000	190.00



GK0 camera screw version



GKUT1 truss clamp version

230 - 300 mm

Truss Clamp Version

Universal mount with standard truss clamp fitting.
For all trusses 45 – 55mm dia.

Order Code	Extension mm	£ Ex Vat
GKUT1	230 - 300	109.80
GKUT3	700 - 1200	134.80

Gyrolock Parts & Accessories



Wide range available

Adapter Plates

Enables changeover whenever replacing projector. State make & model when ordering.

Order Code	£ Ex Vat
GAP	44.30



EU Registered Design 00221072-0001

Universal Adapter Plate

Designed to fit most projectors.

Order Code	£ Ex Vat
GAPU	44.30



Column Suspension Version

Universal mount for direct column connection. See Page 22 for columns & ceiling plates.

Order Code	£ Ex Vat
GKU4	69.50



Gyrolock Trim Disc

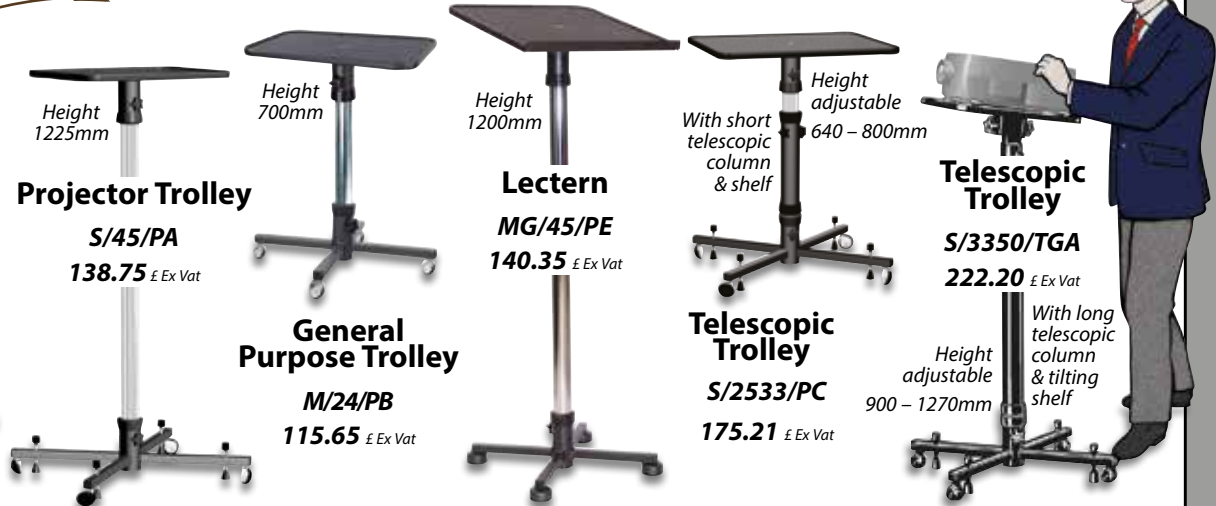
Shaped to fit Gyrolock mast. Gives a neat finish to installations through suspended ceilings.

Order Code	£ Ex Vat
GKTD	4.90

* For standard column trim discs see page 22.

Single Column Stands & Trolleys

Since 1963 - The original Unicol system of stands & trolleys



Height 1225mm

Projector Trolley
S/45/PA
138.75 £ Ex Vat

Height 700mm

General Purpose Trolley
M/24/PB
115.65 £ Ex Vat

Height 1200mm

Lectern
MG/45/PE
140.35 £ Ex Vat

Height adjustable 640 - 800mm

With short telescopic column & shelf

Telescopic Trolley
S/2533/PC
175.21 £ Ex Vat

Height adjustable 900 - 1270mm

With long telescopic column & tilting shelf

Telescopic Trolley
S/3350/TGA
222.20 £ Ex Vat

Platforms
In a range of useful sizes.

Order Code	Size mm	£ Ex Vat
PA	300 x 450	42.50
PB	450 x 450	49.20
PC	450 x 550	55.65

Lectern Platform
Fixed reading angle of 15 degrees.

Order Code	Size mm	£ Ex Vat
PE	450 x 450	56.05

Tilting Platforms
Fully adjustable from level to 10 degrees.

Order Code	Size mm	£ Ex Vat
TGA	300 x 450	84.35
TGB	450 x 450	91.45
TGC	450 x 550	97.80

Standard Single Columns

Order Code	Length	£ Ex Vat
16	410mm	13.45
24	610mm	18.85
30	760mm	25.05
36	900mm	40.50
45	1140mm	37.50

Also available with longer inner columns

Telescopic Columns

Order Code	Trolley height range	£ Ex Vat
2533	740 to 950mm	60.80
3350	840 to 1280mm	79.10

Accessory Shelves
Fully height adjustable.

Order Code	Size mm	£ Ex Vat
AP	300 x 300	41.60
AD	400 x 400	52.60

Bases

Order Code	Size mm	£ Ex Vat
MS	Trolley 400 x 400	47.60
MG	Stand 400 x 400	46.80

Bases with Jacking Feet

Order Code	Size mm	£ Ex Vat
SS	450 x 550	58.75
LS	550 x 650	61.35

Other Trolleys

Equipment Trolley
Utility trolley with a great many uses to carry medical, laboratory or test equipment. Other platform sizes listed.

Has heavy base with 10cm rubber tyre castors.

Platform 45x45cm
Trolley Height 75cm

Order Code **T1B/24/PB**
£ Ex Vat **184.15**

Base unit available as separate purchase.

Order Code	£ Ex Vat
T1B	72.15

Original TC1000 Trolleys
The standard trolley in service with many schools & colleges. Has universal screen mount & equipment shelf. Conversion kit also available for existing trolleys.

Conversion kit complete

Gives existing TC1000 trolleys a new lease of life. Conversion kit replaces old style TV mount for modern flat screen use.

Order Code	£ Ex Vat
TCK	144.20

Order Code	£ Ex Vat
TC1000	362.20

Camera Stands
Superior to tripods for a great many applications. Solid base with braked wheels gives excellent stability.

Fluid effect head

35 - 200cm vertical movement

Studio camera stand

Telescopic camera stand

Order Code **CS1000**
£ Ex Vat **465.45**

Order Code	£ Ex Vat
CS2000	409.45

Parts & Accessories



10cm Castors
(Standard – set of 4)
Order Code £ Ex Vat
C10X4 34.60



10cm Heavy Duty Castors
(HD braked – set of 4)
Order Code £ Ex Vat
BC10X4 94.00

Please note: Our 10cm Heavy Duty castors (BC104) are bolt fixed for added strength and to prevent swivel as well as rotation of the wheel, they are intentionally not interchangeable with our 10cm (C104) castors.



Socket Cap
Order Code £ Ex Vat
SC 3.50



Spray Paint
Touch in paint in Sinterflex Black / White or Diamond Silver – 400ml cans.

Order Code £ Ex Vat
SPB Black 25.40
SPW White 35.60
SPS Silver 34.22



Replacement Lock & Keys
Order Code £ Ex Vat
LK 25.10



7.5cm Castors
(2 plain / 2 braked – set of 4)
Order Code £ Ex Vat
C074 28.20



5cm Castors
(Orbit set of 4)
Order Code £ Ex Vat
C05X4 14.00



Hand Wheel
Order Code £ Ex Vat
HW38F 1.05



Allen Key
Fits Grub Screws & Through Bolts
Order Code £ Ex Vat
AK316 0.70



Safety Through-bolt
Order Code £ Ex Vat
TB38F 1.15

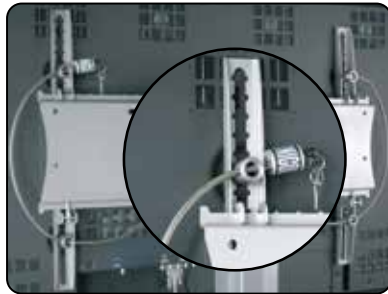


Grub Screw
Order Code £ Ex Vat
GS38F 0.25



Drilling Jig
Installer's cutting and thro-bolt drilling jig for columns.
Order Code £ Ex Vat
CDJ1 42.10

Security Devices, Video conference Shelves, Unicol Columns



Screen Security Kit

Use this easily fitted Security Kit with any of our mounts.

The 2200mm tough steel cable system has special fittings which shield access to the screen fixing screws.

Order Code £ Ex Vat
PSK 89.97



Locking Ceiling Plate

Fits standard CP1 ceiling plate shielding the fixings to deter unauthorised removal.

Order Code £ Ex Vat
CPSC1 45.40



Remo Guard™ TV Remote Wall Holders

- * Locks remote to wall
- * Reflects beam to TV or projector



Ideal in any classroom or lecture theatre. These clever devices reflect the remote control IR beam direct to projector or screen thus avoiding the need for hard wiring, locking the remote ready for use.

Order Code £ Ex Vat
RGHW Standard for most remote units 58.60
RGH1W Custom unit for large remote's 65.00

TETHERLOC® Gyrolock Anti-theft Kit

Tough steel cable system has special fittings which shield access to the projector fixing screws and link the mount and projector to protected ceiling fixing bolts.

Order Code £ Ex Vat
GT40 for GK1 (40cm cables) 78.80
GT80 for GK2 (80cm cables) 84.80
GT130 for GK3 (130cm cables) 91.50



Video Conference Camera Wall Shelves

Neat units in glass or metal for wall mounting.

Order Code £ Ex Vat
WBVC Metal - 350w x 250d 71.30
WBVG Glass - size: 500 x 400 86.40
WBVG1 Glass - size: 780 x 390 108.90



Versions also available for specific video conference cameras and codecs – Call us for details.

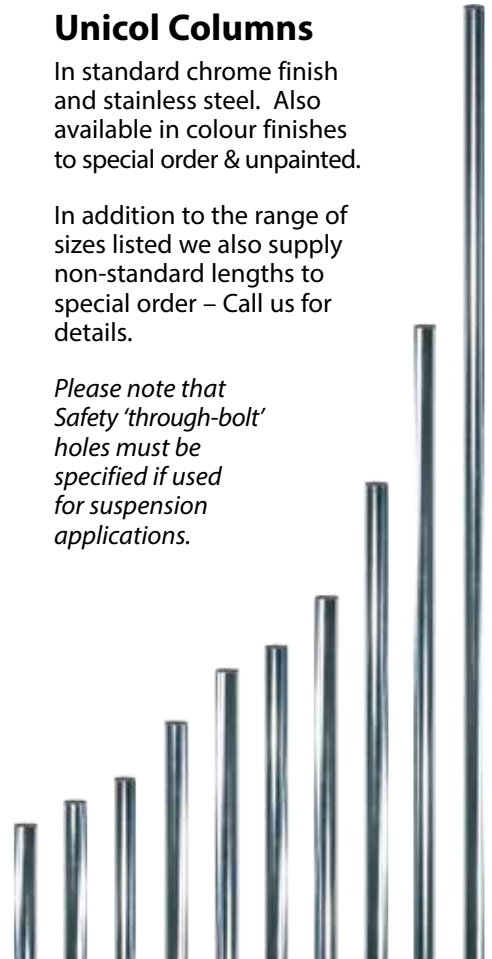


Unicol Columns

In standard chrome finish and stainless steel. Also available in colour finishes to special order & unpainted.

In addition to the range of sizes listed we also supply non-standard lengths to special order – Call us for details.

Please note that Safety 'through-bolt' holes must be specified if used for suspension applications.




Standard Chrome Finish (Order Code suffix: 'C' – for ceiling suspension only)			Stainless Steel (Order Code suffix 'SS')
Order Code	Length (mm)	£ Ex Vat	£ Ex Vat
500	500	16.25	31.45
1000	1000	32.50	62.85
1500	1500	48.75	124.30
2000	2000	65.00	155.70
2500	2500	81.25	187.15
3000	3000	97.50	218.55

UNICOL[®]

Supporting You



Award winning Bodmin Jail Experience by Sarner International Ltd  Sarner

AV Mounts - for the professionals

UNICOL Green Road Oxford OX3 8EU 01865 767676 sales@unicol.com www.unicol.com

