

TABLET MOUNTS FOR DIGITAL ASSISTANTS



From meeting rooms and reception areas to restaurants and exhibitions, utilise the flexibility and control offered by tablets to streamline your day-to-day processes with our range of tablet mounts.

Details

Approved mounts specifically designed for each make and model of tablet ensuring a flush, neat finish every time!

Dedicated Tablet Wall Mount (up to 11")

Order Code

TBM1

suitable up to 11"

£ Ex Vat

120.40



Dedicated Tablet Wall Mount (over 11")

Please enquire at sales@unicol.com or call 01865 767676.

Dedicated Tablet Mount Stand

Coming Soon! Email marketing@unicol.com to register for updates.



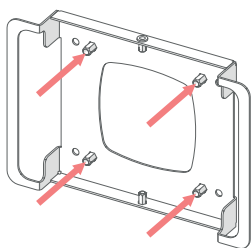
Features



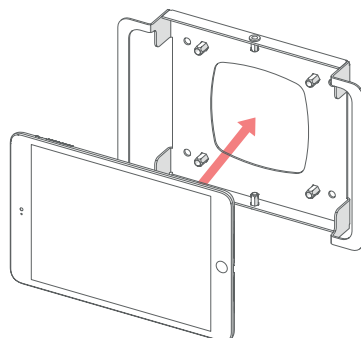
- * Dedicated mount designed to suit your choice of tablet (Apple, Samsung, Microsoft etc)
- * Easy to assemble solution
- * Ample ventilation
- * Suitable portrait or landscape
- * Ideal for meeting room bookings, reception check-ins, restaurant food ordering, customer feedback on exhibition stands and more
- * Plenty of space for POE modules
- * Allowance for charging cables
- * Available in Sinterflex Black/White as standard
- * Stand variation available soon!
- * Modern sleek design
- * Fast delivery turnaround

CALL 01865 767676 NOW
 to order or discuss your requirements

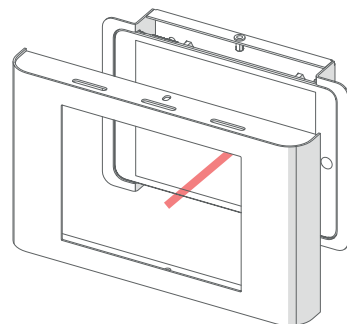
Hassle-Free Assembly



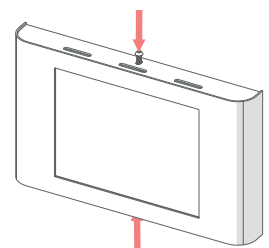
Fix back plate onto wall and fit any POE modules



Place tablet into back plate and cable up as required.



Place front cover panel over tablet and back plate.



Tighten top and bottom screws to fix cover into place.