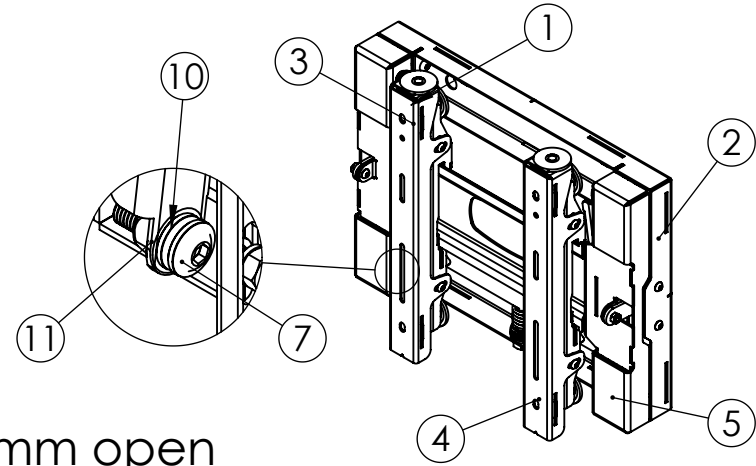
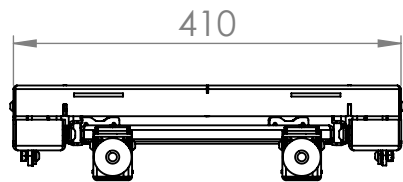


from 70 to 220 mm open



BOM Table			
ITEM NO.	PART NUMBER	Description	QTY.
1	PAR--2054432	Scissor Arm	2
2	ASS--20053154	Vwp 0 - Wall Plate	1
3	ASS--20053153	Vwp 0 - Bottom Scissor Frame	1
4	ASS--20053155	Video Wall Arm 26 - 32 Extension	2
5	ASS--20053157	Vwp 0 Front Slider Arms Support Portrait 40 Inch	1
6	BH-MET-8X20-HT-BO	Button Head Screw M8 X 20 (High Tensile Black Oxide)	4
7	BUTTON HEAD SCREW M8 X 25 (HIGH TENSILE BLACK OXIDE)	Button Head Screw M8 X 25 (High Tensile Black Oxide)	6
8	Stover Nut M8 (High Tensile Bright Zinc Plated Clear Passivated)	Stover Nut M8 (High Tensile Bright Zinc Plated Clear Passivated)	10
9	Par--20028182	Black Plastic Spacer 8.5 X 8 X 15	2
10	NW-8X16X1.8BL	M8 X 16 X 1.8 Nylon Washer Black	12
11	FW-MET-8-HT-BO	Flat Washer M8 (High Tensile Black Oxide)	4



Description		vwp-oo 410 w x 300 h	
UNLESS OTHERWISE SPECIFIED: DIMENSIONS ARE IN MILLIMETERS	Created By Dennis Neale	Material:	DRW - REV REV - A-003
	Created By Dennis Neale	Gauge:	
SURFACE FINISH: Powder Coated		See Below - Special Notes	
Unicol Engineering Green Road Oxford OX3 8EU		Part Number & Part Revision ASS--20053152 REV - A-003	

WEIGHT: 7.80

Kg

SCALE:1:8

DO NOT SCALE DRAWING

SHEET 1 OF 1