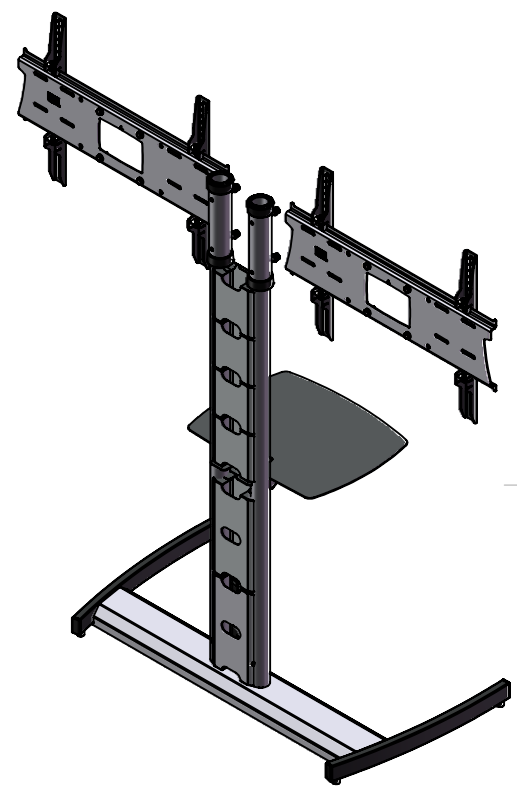
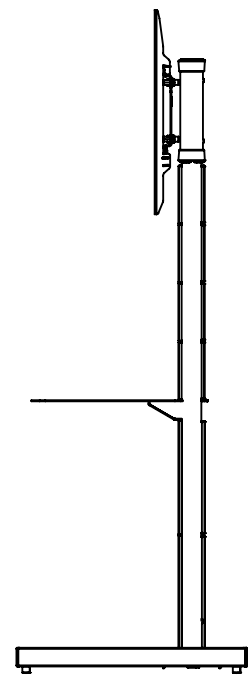
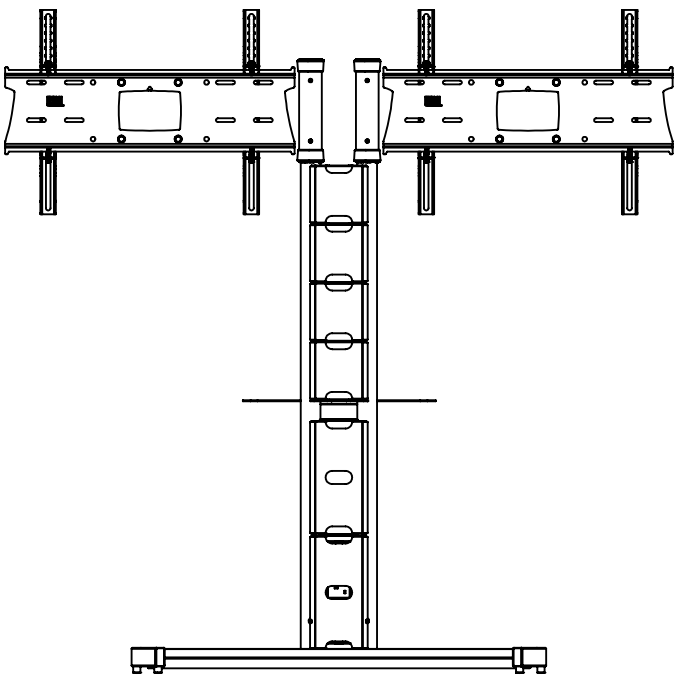


1 2 3 4 5 6

A

A

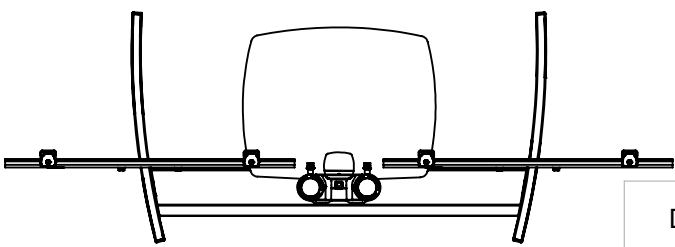


B

B

C

C



D

Description		Achip21 80-100Cm Type 2 With Pzx1 X 2	
UNLESS OTHERWISE SPECIFIED: DIMENSIONS ARE IN MILLIMETERS		Saved Date: 28 January 2022 Created Date: 24 August 2021 Bend Tool:	DRW - REV REV - A-007
SURFACE FINISH: Powder Coated		Material:	
Created By System Administrator Unicol Engineering Green Road Oxford OX3 8EU		Gauge:	See Below - Special Notes
		Part Number & Part Revision	
		Ass--20006472 REV - A-007	

1 2 3 4 5 6 WEIGHT: 44.53 Kg SCALE:1:20 DO NOT SCALE DRAWING SHEET 1 OF 1