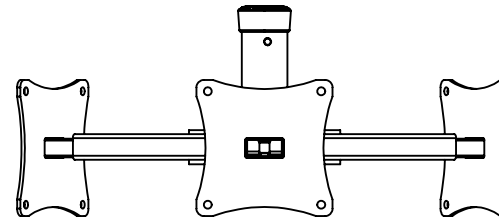
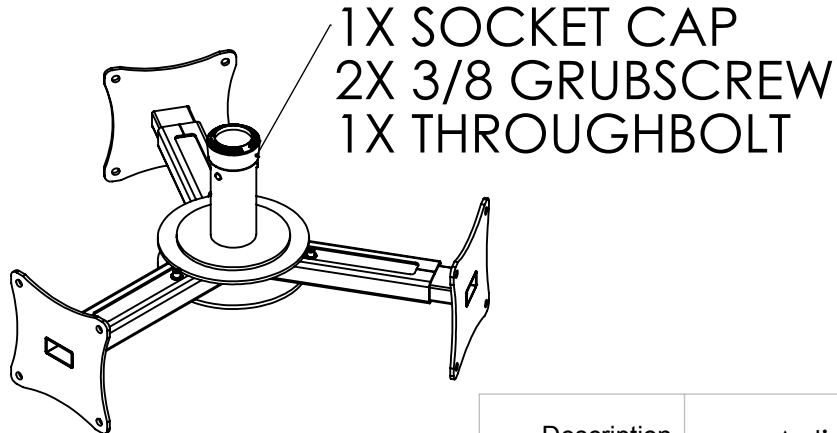


TOP VIEW

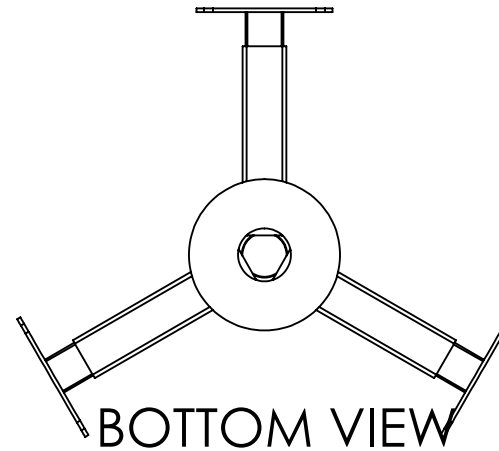
M10X30X3
GRUB SCREW



M10X25X12
HEX HEAD BOLTS



1X SOCKET CAP
2X 3/8 GRUBSCREW
1X THROUGH BOLT



BOTTOM VIEW

Description		Adjustable 3 Screen Gantry 1070 - 1600 Width Screens			
UNLESS OTHERWISE SPECIFIED: DIMENSIONS ARE IN MILLIMETERS	Mod Date	19/01/2018	REVISION	Bend & Machine Number	
	Drawn Date:	18/07/2013	A-005		
SURFACE FINISH: Powder Coated		Material		DWG NO. Ass--20022764	
DRAWN	Darren Kitching		Gauge		
Unicol Engineering Green Road Oxford OX3 8EU				A4	
WEIGHT: 11856.94		Kg		SCALE:1:10	DO NOT SCALE DRAWING
				SHEET 1 OF 1	

Bend V Tool

1

2

3

WEIGHT: 11856.94

Kg

SCALE:1:10

DO NOT SCALE DRAWING

SHEET 1 OF 1

A4