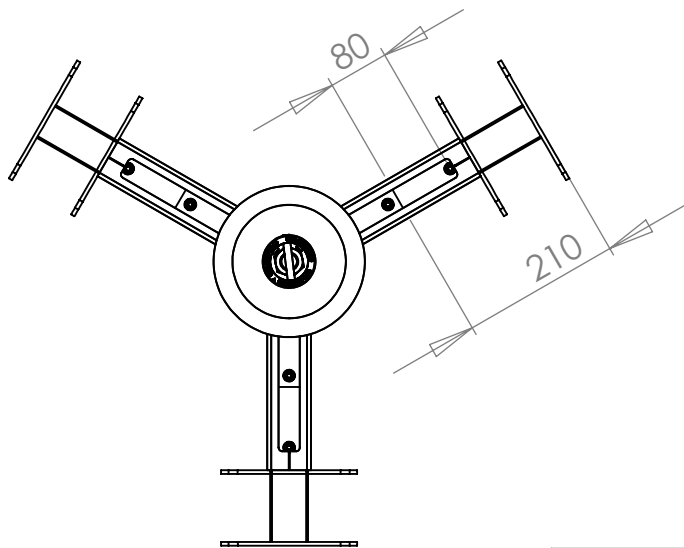


SCREENS FROM 1070 ----1400
use only heavy duty columns and cp5



Description		Adjustable 3 Screen Gantry 1070 - 1400 Width Screens			
UNLESS OTHERWISE SPECIFIED: DIMENSIONS ARE IN MILLIMETERS		Mod Date	19/01/2018	REVISION	Bend & Machine Number
SURFACE FINISH: Powder Coated		Drawn Date:	18/07/2013	A-014	
DRAWN Dennis Neale		Material		DWG NO.	A4
Unicol Engineering Green Road Oxford OX3 8EU		Gauge			
WEIGHT: 11262.15		Kg		Ass--20018190	
SCALE:1:10		DO NOT SCALE DRAWING		SHEET 1 OF 1	

Bend Tool