

Bend Tool

1

2

3

WEIGHT:

Kg

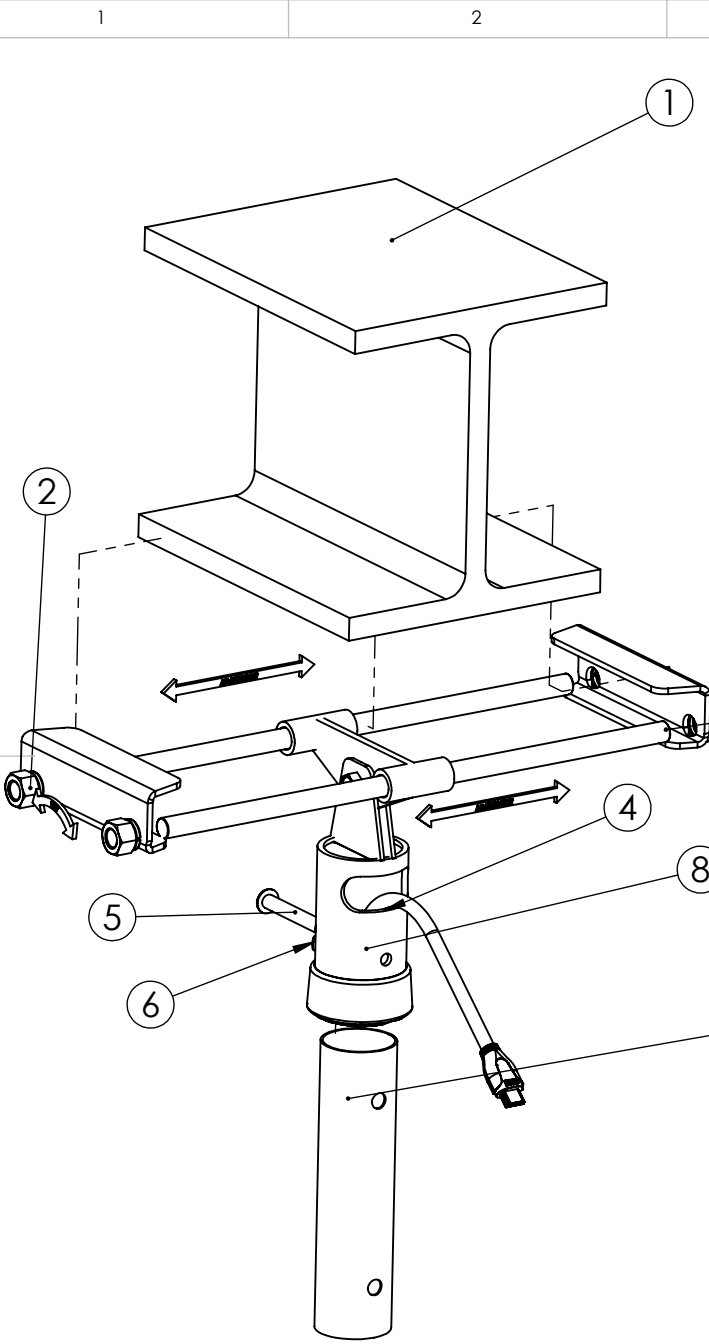
SCALE:1:5

DO NOT SCALE DRAWING

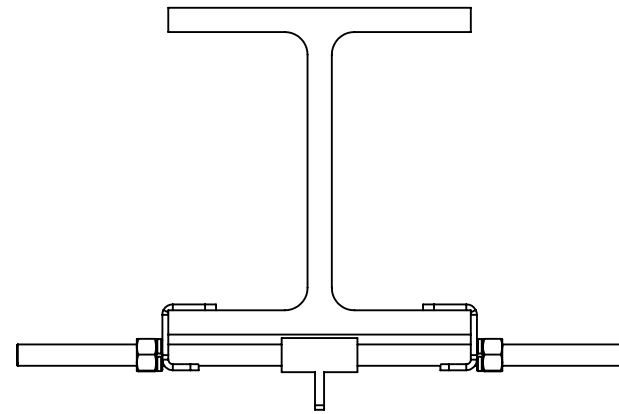
SHEET 1 OF 2

Description		Gc35 Adjustable Girder Clamp 9 To 35Cm		
UNLESS OTHERWISE SPECIFIED: DIMENSIONS ARE IN MILLIMETERS		Mod Date	17/06/2016	REVISION
SURFACE FINISH: Powder Coated		Drawn Date:	10/04/2007	A-001
DRAWN Ricky Clark		Material		
Unicol Engineering Green Road Oxford OX3 8EU		Gauge		DWG NO.
				GC35
				A4

See Below - Fixings Required



- Instructions**
 Before starting validate that the bean is safe for a suspended load of at least 5 times the intended load including mounts
1. Slacken or remove end nuts and washer to allow end plates to expand fully (2)
 2. Bring end flange plates into the bottom girder flange (3)
 3. Tighten nuts and washers evenly to clamp sideways onto girder (2)
 4. Route cables through aperture in socket (4) - (8)
 5. Insert column and secure with safety through bolt (7) - (5)
 6. Nip up socket set screws to remove play from vertical column (6)



Description		Gc35 Adjustable Girder Clamp 9 To 35Cm				
UNLESS OTHERWISE SPECIFIED: DIMENSIONS ARE IN MILLIMETERS	Mod Date	17/06/2016	REVISION	Bend & Machine Number		
	Drawn Date:	10/04/2007	A-001			
SURFACE FINISH: Powder Coated	DRAWN Ricky Clark		Material	DWG NO. GC35		
	Unicol Engineering Green Road Oxford OX3 8EU		Gauge			
WEIGHT:		Kg		SCALE:1:5	DO NOT SCALE DRAWING	SHEET 2 OF 2

Bend V Tool

A4